



**PIERGIACOMI®**

**Q U A L I T Y   H A N D   T O O L S**

# PRODUCTS

---

 **PIERGIACOMI SUD 2023**

# THE COMPANY



**FOUNDATION: 1979**

**QUALITY CERTIFICATION: ISO9001:2015**

**HEAD QUARTER & MANUFACTURING PLANT:**

ITALY Ascoli Piceno

**SALES & MKTING: Ancona**

ISO 9001

**BUREAU VERITAS**  
Certification



008



## EVOLUTION IN YEARS...

**COMPARE!**

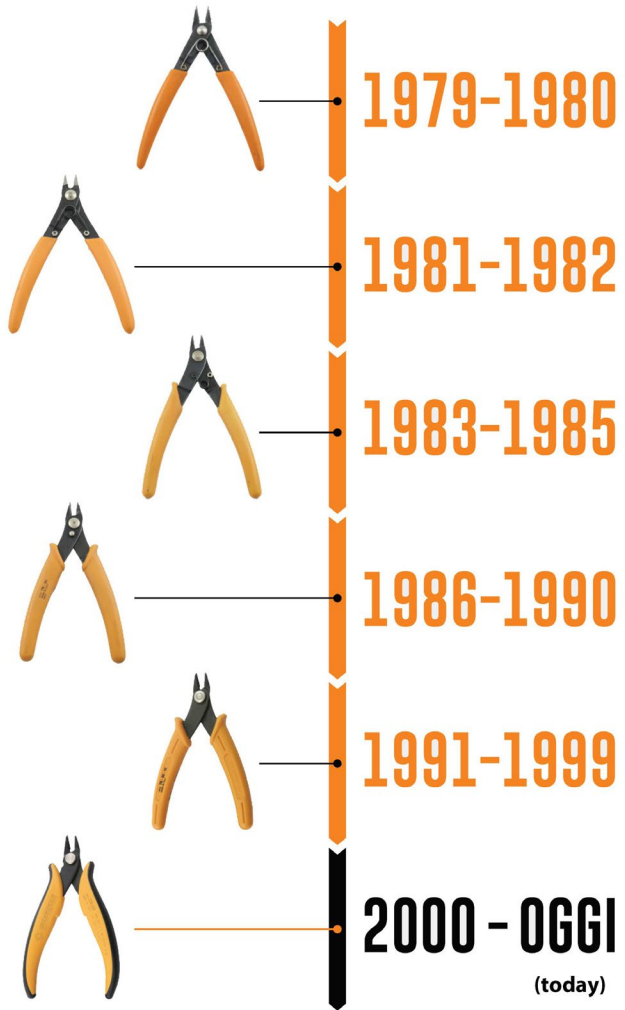
*trying to cut a lead with tip of the tool,  
using only the thumb and little finger...  
... with **PIERGIACOMI**  
you can!!!*



**COMPARE.**  
*The harmony of lines,  
the accuracy of execution and the finish.  
Add the **PATENTED**, less fatiguing,  
constant force recovery spring;  
the built-in kicking button and  
the almost invisible safety spring,  
preventing flying leads-then you  
discover you are using a  
**SUPERIOR PRODUCT.***

**PIERGIACOMI**  
SUB.

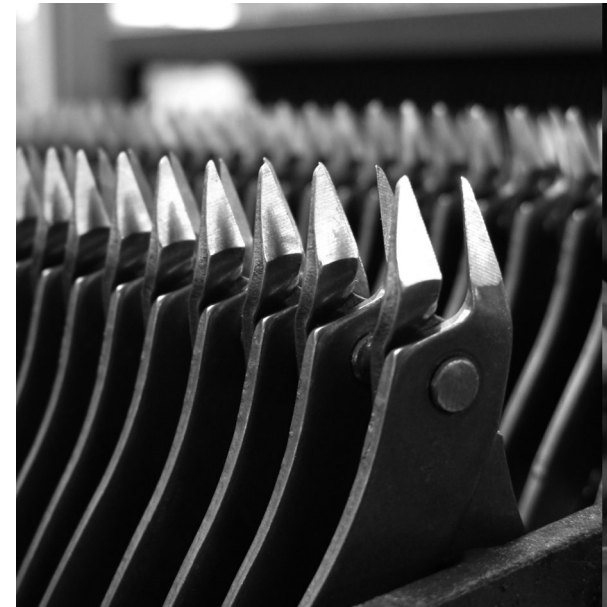
*for modern tools!!!*



# PROCESS AUTOMATION



Thanks to the KNOWLEDGE OF OUR «robotics» business line we could DESIGN AND REALIZE INTERNALLY SEVERAL PRODUCTION MACHINES FOR OUR PROCESSES AUTOMATION



**REDUCING COSTS**

**KEEPING PRODUCTION 100% IN ITALY UNDER OUR QUALITY CONTROL**

# TARGET MARKETS



**CORE MARKETS: electronics and electrotechnics**

**TARGET MARKETS: OTHERS**

---



**OPTIC FIBER**



**HOBBIES & CRAFT**



**VAPING**

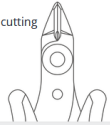
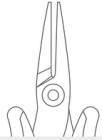

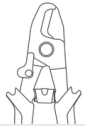

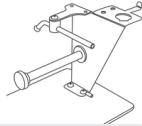

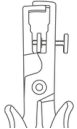

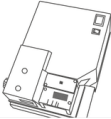



**JEWELERY**



**EXTENSIONS**

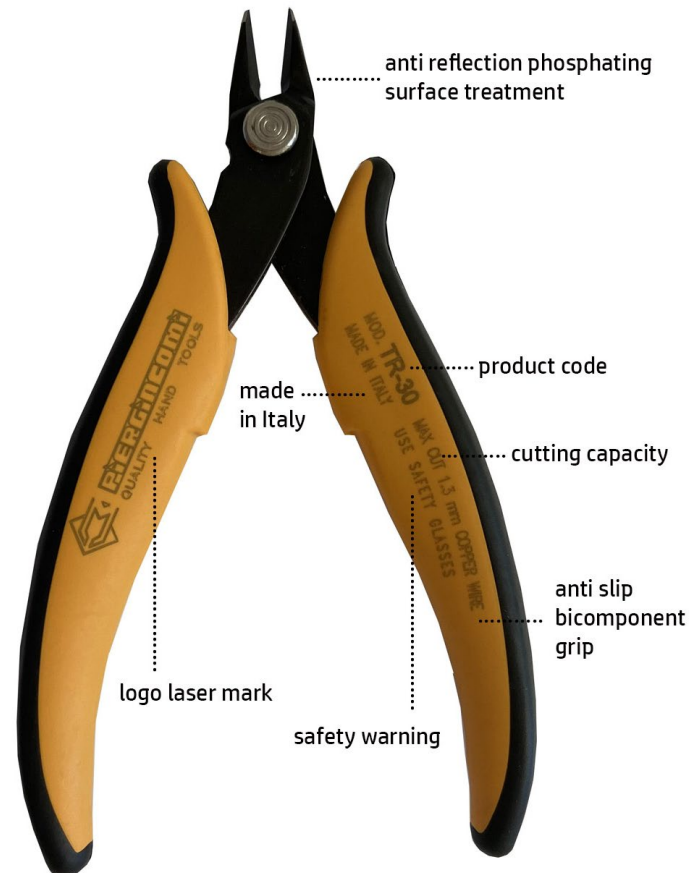
## THE RANGE: MORE THAN 400 KIND OF HAND TOOLS

<p><b>CUTTERS</b></p> <ul style="list-style-type: none"><li>• Flush cutting edge</li><li>• Convex flush cutting edge</li><li>• Bevelled cutting edge</li><li>• Standoff flush cutters</li><li>• Oblique or vertical cutters</li><li>• With induction-hardened/tungsten cutting edges</li><li>• Pin strip cutters</li><li>• Air nippers</li></ul> 	<p><b>PLIERS</b></p> <ul style="list-style-type: none"><li>• Short needle-nose pliers</li><li>• Short flat-nose pliers</li><li>• Long needle-nose pliers</li><li>• Long flat-nose pliers</li><li>• Round-nose pliers</li><li>• Bent-nose pliers</li><li>• Round-nose cutting pliers</li><li>• Contact insertion pliers</li><li>• Pin extraction pliers</li></ul> 	<p><b>TWEEZERS</b></p> <ul style="list-style-type: none"><li>• General purpose tweezers</li><li>• Cutting tweezers</li><li>• Component &amp; wire handling tweezers</li><li>• Wafer handling tweezers</li><li>• Reverse-action tweezers</li><li>• SMD tweezers</li><li>• Jewellery making tweezers</li></ul> 	<p><b>CABLE STRIPPERS AND CUTTERS</b></p> <ul style="list-style-type: none"><li>• Cable strippers</li><li>• Cable cutters</li></ul> 	<p><b>FORMING PLIERS</b></p> <ul style="list-style-type: none"><li>• "C" shape forming pliers</li><li>• "U"-shape forming pliers</li><li>• 90° forming pliers</li><li>• "L"-shape forming pliers</li><li>• Flat component forming pliers</li><li>• Small IC forming and cutting pliers</li><li>• Cut &amp; press pliers</li><li>• Cut &amp; bend pliers</li></ul> 	<p><b>TOOL KITS AND WELDING ACCESSORIES</b></p> <ul style="list-style-type: none"><li>• Solder dispenser</li><li>• Desoldering pumps</li><li>• Tool stand</li><li>• Tool kits</li></ul> 
<p><b>PRECISION SCREWDRIVERS</b></p> <ul style="list-style-type: none"><li>• Slotted screwdrivers</li><li>• Phillips screwdrivers</li><li>• Pozidriv screwdrivers</li><li>• Torx screwdrivers</li><li>• Tamper resistant screwdrivers</li></ul> 	<p><b>SHEARS AND WIRE STRIPPERS</b></p> <ul style="list-style-type: none"><li>• Shears</li><li>• Wire strippers</li><li>• All-purpose shears</li></ul> 	<p><b>EXTRACTORS</b></p> <ul style="list-style-type: none"><li>• PLCC extractors</li><li>• IC extractors</li><li>• SMT COAX extractors</li></ul> 	<p><b>SMALL EQUIPMENT</b></p> <ul style="list-style-type: none"><li>• Cutting/Forming systems</li><li>• Forming masks</li><li>• Component cutters</li><li>• Crimping systems</li><li>• Torque wrenches</li><li>• Pins alignment tool</li></ul> 	<p><b>PCB SEPARATORS</b></p> <ul style="list-style-type: none"><li>• Hand depaneling tools</li><li>• Pneumatic depaneling tools</li><li>• V-scored PCB separators</li><li>• PCB milling systems</li></ul> 	<p><b>MULTI-LAYER PCB BONDING SYSTEMS</b></p> <ul style="list-style-type: none"><li>• Manual bonding system</li><li>• Semi-automatic bonding system</li></ul>

**For any possible task in electronics and not only**

# PRODUCT FEATURES-1

All Piergiacomì tools are made in Italy by means of blanking with special carbon steel and undergo a controlled atmosphere heat treatment. The anti-reflection phosphating surface treatment ensures an accurate view of the work being carried out. The tools are joined with grounded holes and surfaces, thereby allowing precise movements. The anti-slip bi-material dolphin handle is created following ergonomic principles, thus guaranteeing a safe, light and comfortable grip for the operator even when used constantly for many hours. Laser marking.



## Grip colors available



## PRODUCT FEATURES-2

ESD pliers or cutters and ESD screwdrivers are equipped with dissipative handles.

ESD tweezers, ESD solder dispenser DS2500 and ESD tools support SU-8 are covered by a high grade dissipative surface, ESD desoldering pumps are made by dissipative material.



Piergiacomí ESD tools respect standard IEC 61340-5-1.

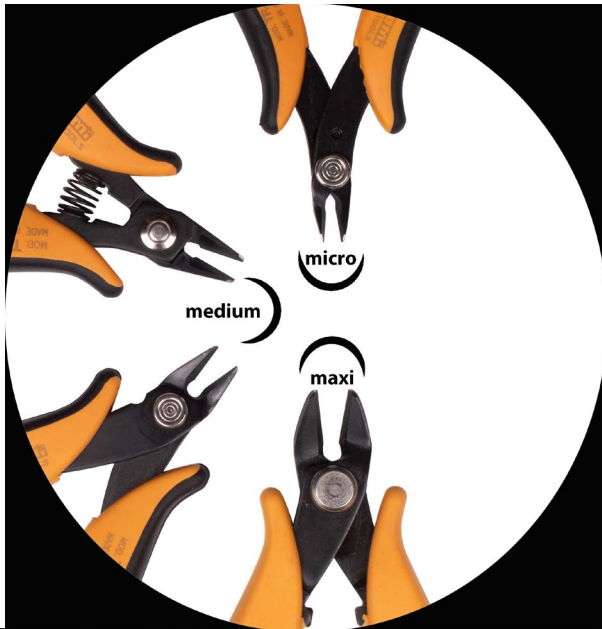
Accordingly the surface resistance of Piergiacomí ESD tools are within the ideal

area between 106 and 109  $\Omega$ . This resistance prevents any damages at sensitive components.



## PRODUCT FEATURES-3

Piergiacomini hand tools mount different size and shape of handles. All of them are ergonomics, anti-slip and very comfortable for the operator's hand.



**LONG**



**MAXI**



**CABLE CUTTER**



**MICRO**



**MEDIUM**



# CUTTERS

---

# **CUTTERS**



**BEVELLED CUT**



**FLUSH CUT**



**CONVEX FLUSH CUT**



**STANDOFF FLUSH CUT**



**OBLIQUE FLUSH CUT**



**INDUCTION AND  
TUNGSTEN TREATMENT**



**AIR NIPPERS**

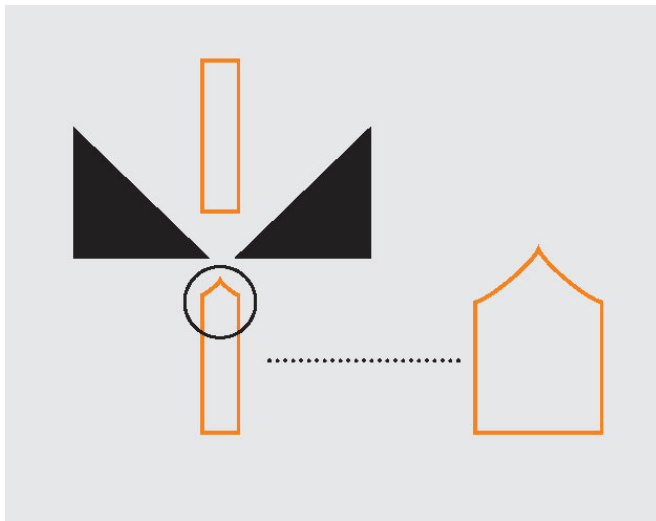
**ESD SAFE  
HANDLES ON  
REQUEST**



# CUTTING IDEA

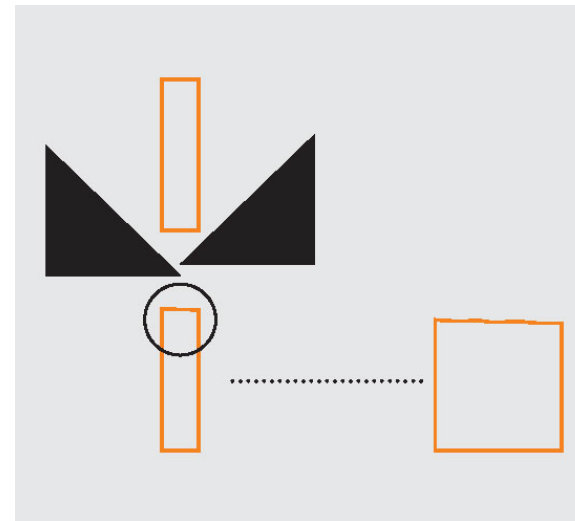
## Overlapping Blades

Piergiacomì tools stand out from the competition for the gentleness of their cut which is precise and therefore requires less effort. In actual fact, Piergiacomì tool blades, unlike ordinary tools, overlap using the same cutting principle of shears. This type of cutting mechanism offers significant advantages:



**GENERIC CUTTERS**

In ordinary tools with parallel blades, the wire to be cut is pushed towards the center, obtaining a cut that is not clean, whereas the blades of Piergiacomì tools slide gently on the wire to be cut which is sliced and not subjected to excessive mechanical stress



**PIERGIACOMI PRODUCTS**

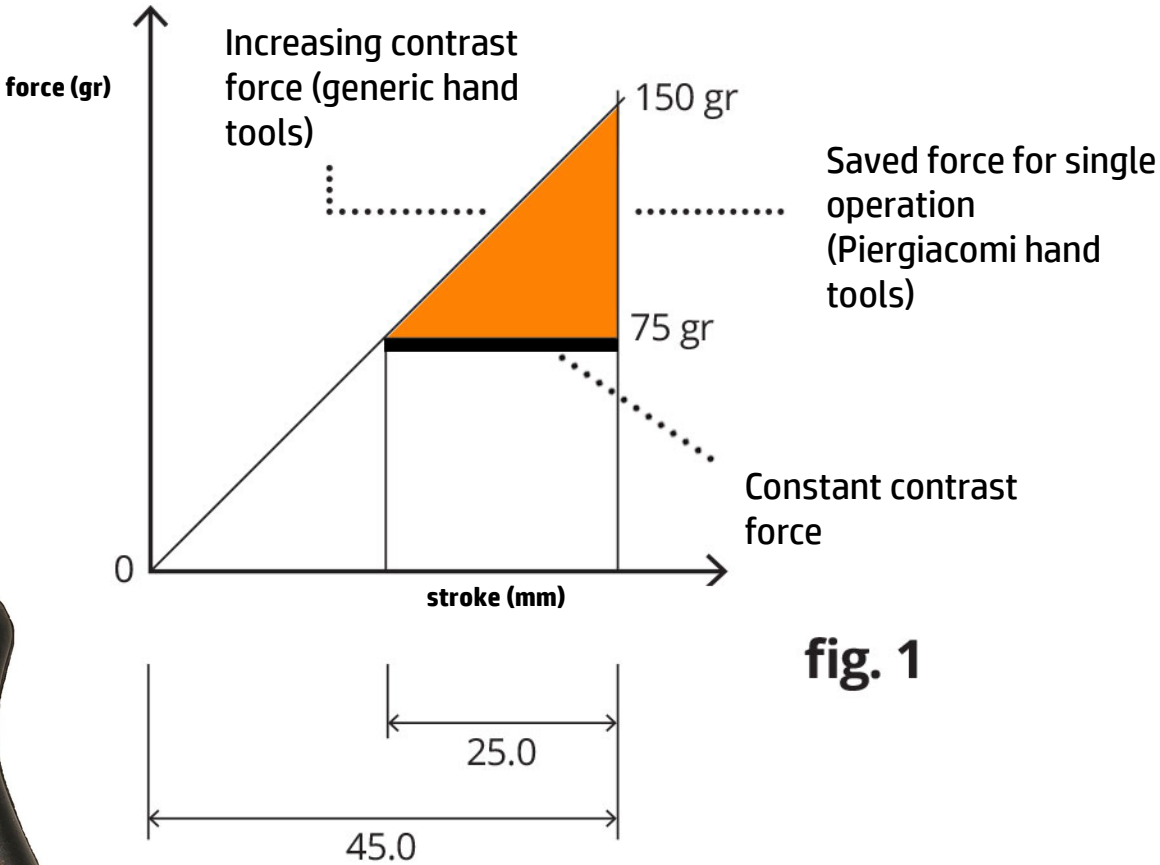
This type of shear cut, with slightly overlapping blades, due to the fact it does not exert mechanical stress, requires less force than that required by ordinary tools and results in reduced operator fatigue.

# RETURN SPING

## RETURN SPRING

All Piergiacomì tools are equipped with a return spring designed to have a constant force, thus reducing operator effort.

The force saved by using our tools is shown in fig. 1.



## SAFETY SPRINGS

Furthermore, for most of our tools, it is possible to request the fitting of the safety spring that helps prevent any leftover cut wire from flying into the operator's eyes. The safety springs can be sheet (greater precision and durability) or wire.

### **FOIL SAFETY SPRING**



### **WIRE SAFETY SPRING**





# BEVELLED CUT-1

---

When you use this cut you will have pyramidal tip at the end of the wire. You can choose this cut when you do not need to have a super flush cut final shape.



# BEVELLED CUT-2

Piergiacomi offers hand tools with bevelled cut in 3 different dimensions and steel thickness. For the cutting of soft materials such as copper wire from 1.30 to 2.59 mm

List of items

**MEDIUM 3mm**



**MEDIUM 5mm**



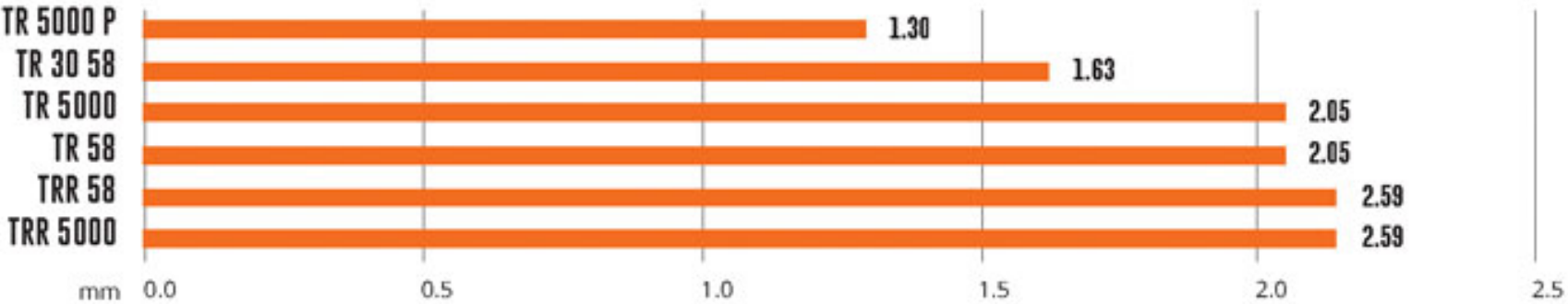
**MAXI 3mm**



# BEVELLED CUT-3

-  CU COPPER WIRE
-  FE IRON WIRE

## Bevelled cutting edge



## FLUSH CUT-1

When you use this cut you will have small tip at the end of the wire. You can choose this cut when you need to have a flush cut final shape.



# FLUSH CUT-2

Piergiacomini offers hand tools with flush cut in different dimensions and steel thickness. For the cutting of soft materials such as copper wire from 0.81 to 2.59 mm



**MICRO 2mm**



**MEDIUM 2.5-3mm**



**MEDIUM 5mm**



**MAXI 3mm**

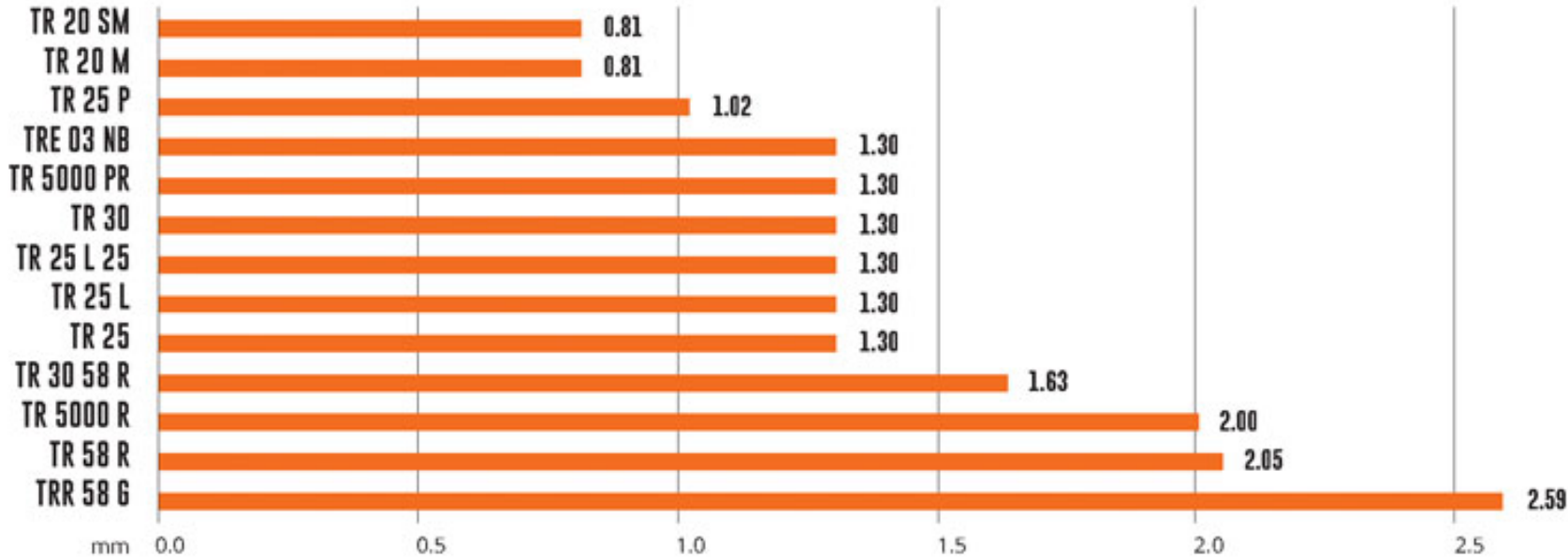




# FLUSH CUT-3

-  CU COPPER WIRE
-  FE IRON WIRE

## Flush cutting edge



# CONVEX FLUSH CUT-1

Ideal for the cutting of plastic or other soft materials. This convex blades leave the surface well finished.



## CONVEX FLUSH CUT-2

Piergiacomini offers hand tools with convex flush cut in different dimensions and steel thickness.



**MEDIUM 2.5-3mm**



**MEDIUM 5mm**



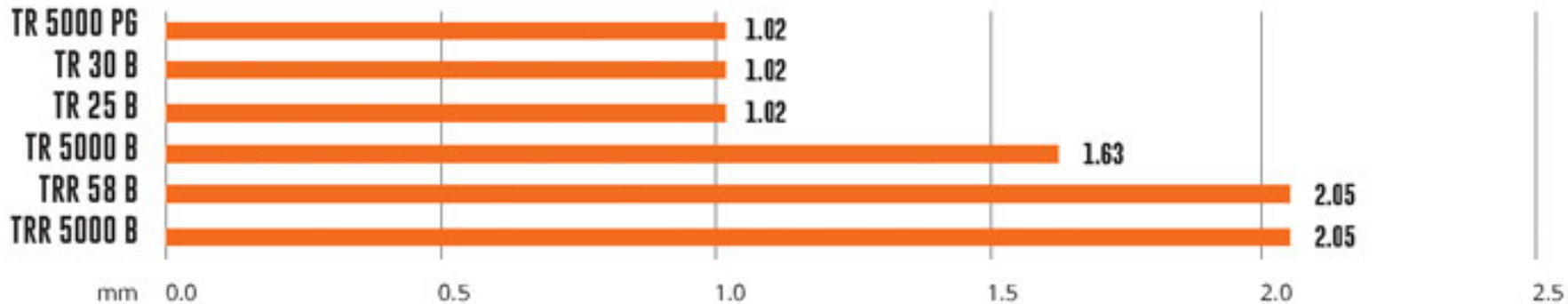
**MAXI 3mm**



# CONVEX FLUSH CUT-3

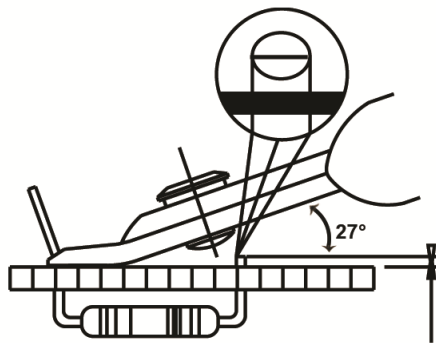
-  CU COPPER WIRE
-  FE IRON WIRE

## Convex flush cutting edge

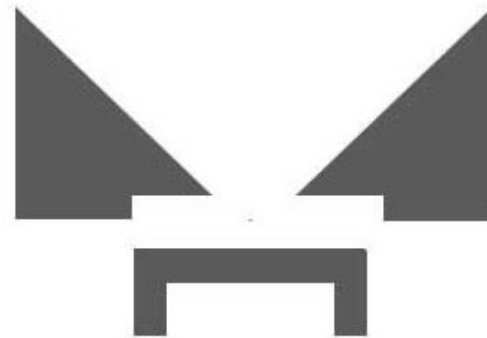


# STANDOFF FLUSH CUT-1

Using this cutter you will have a terminal wire cut at different height from the surface. The wire cut will be full flush cut with no burr

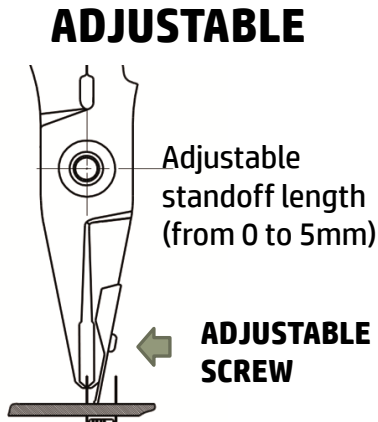
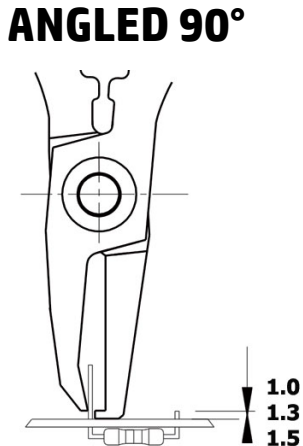
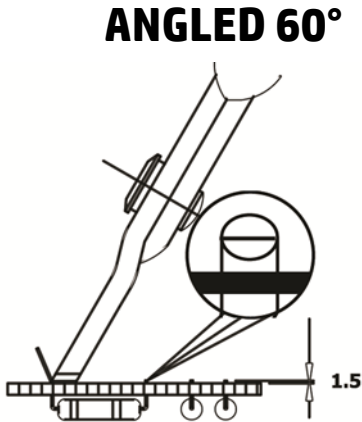
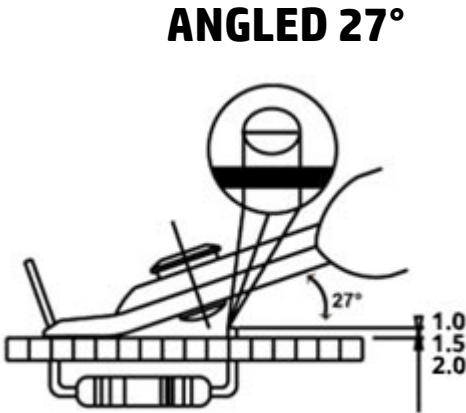


← Terminal wire cut at different height from the surface



## STANDOFF FLUSH CUT-2

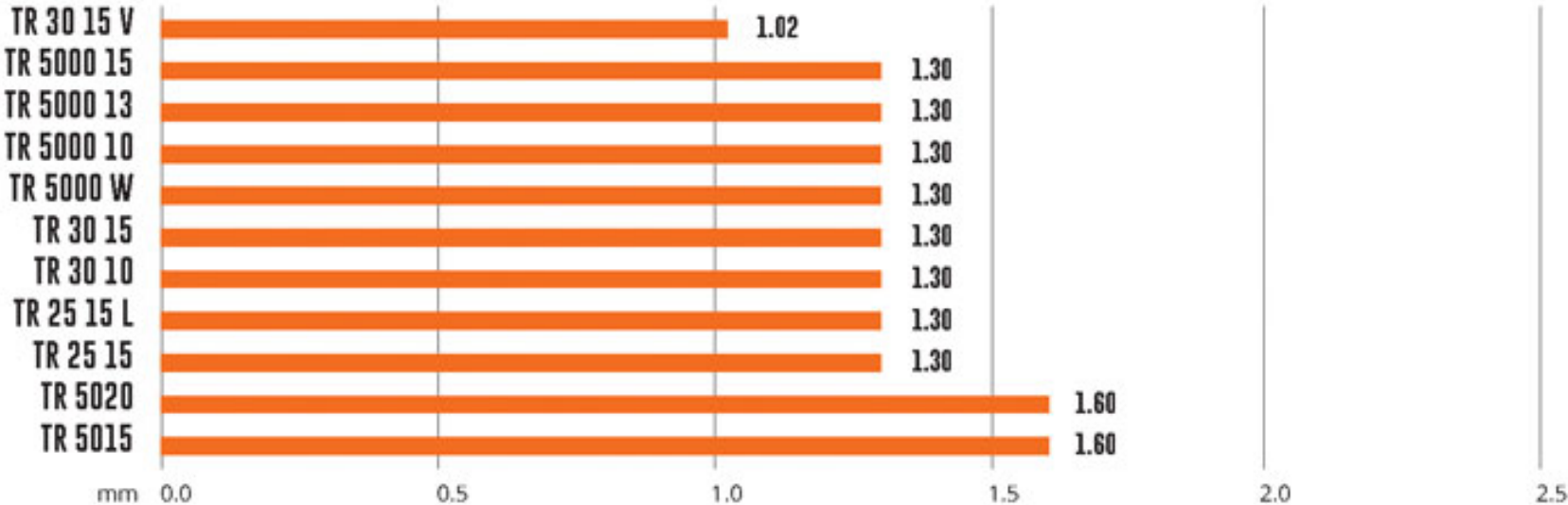
Piergiacomini offers hand tools with standoff flush cut with different inclinations



# STANDOFF FLUSH CUT-3

 CU COPPER WIRE  
 FE IRON WIRE

## Standoff flush cutters



## OBLIQUE FLUSH CUT-1

The cutters in this range have inclination from 50° to 60°. Useful for areas difficult to reach. You will obtain a flush cut with a really small tip at the end of the wire. For the cutting of soft materials such as copper wire from 0.64 to 1.30 mm





# OBLIQUE FLUSH CUT-2

Piergiacomini offers hand tools with oblique flush cut in different dimensions and steel thickness.



List of items

**MICRO 2mm**



**MEDIUM 2.5-3mm**



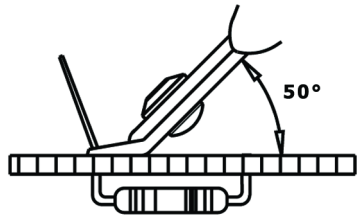
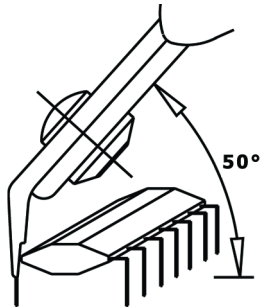
**MEDIUM 5mm**



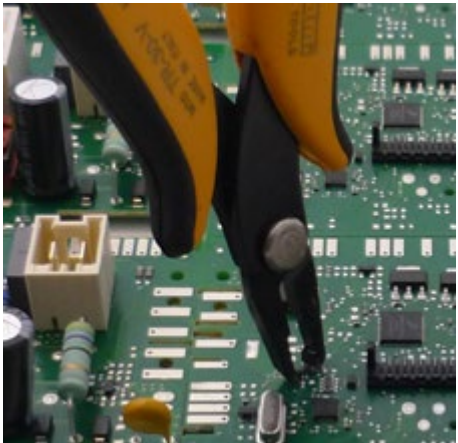
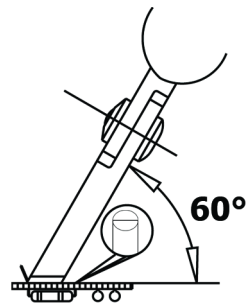
# OBLIQUE FLUSH CUT-3

You can choose the more suitable inclination of blades or shape of the cutting head according to the area or component you must cut

**ANGLED 50°**



**ANGLED 60°**

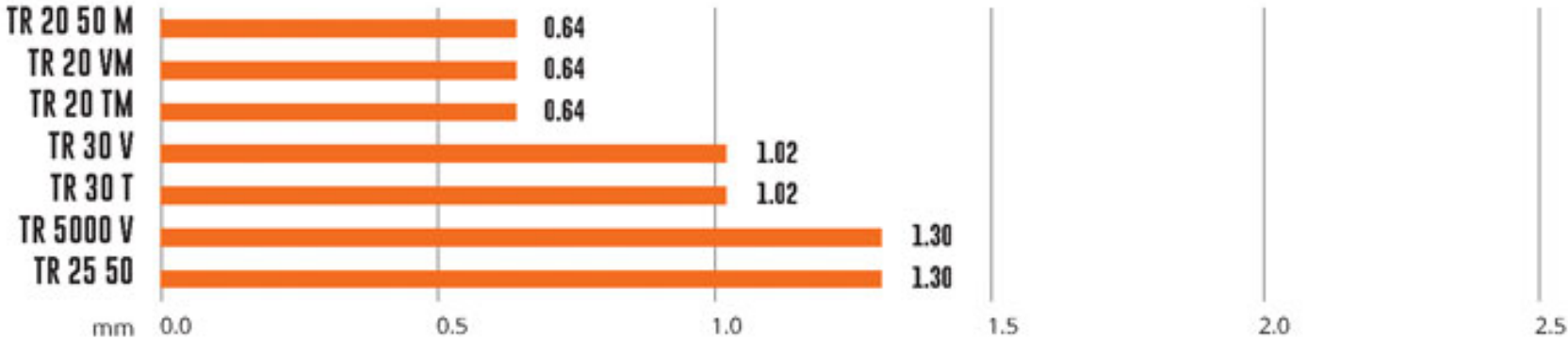




# OBLIQUE FLUSH CUT-4

-  CU COPPER WIRE
-  FE IRON WIRE

## Oblique or vertical cutters



# INDUCTION OR TUNGSTEN TREATMENT ON BLADES-1

Some of our cutters have special INDUCTION OR TUNGSTEN hardened cutting edges. This treatment makes their blades more resistant compared to normal stamped cutters, suitable for the cutting of bigger diameters of copper wire and the cutting of ferrous wires.



# INDUCTION OR TUNGSTEN TREATMENT ON BLADES-2

Piergiacomini offers hand tools with induction or tungsten treatment in different dimensions and steel thickness. For the cutting of copper wire from 1.30 to 2.59mm, ferrous wire from 1.02 to 1.63mm, steel wire 0.60mm.

[List of items](#)

**MEDIUM 3mm**



**MEDIUM 5mm**



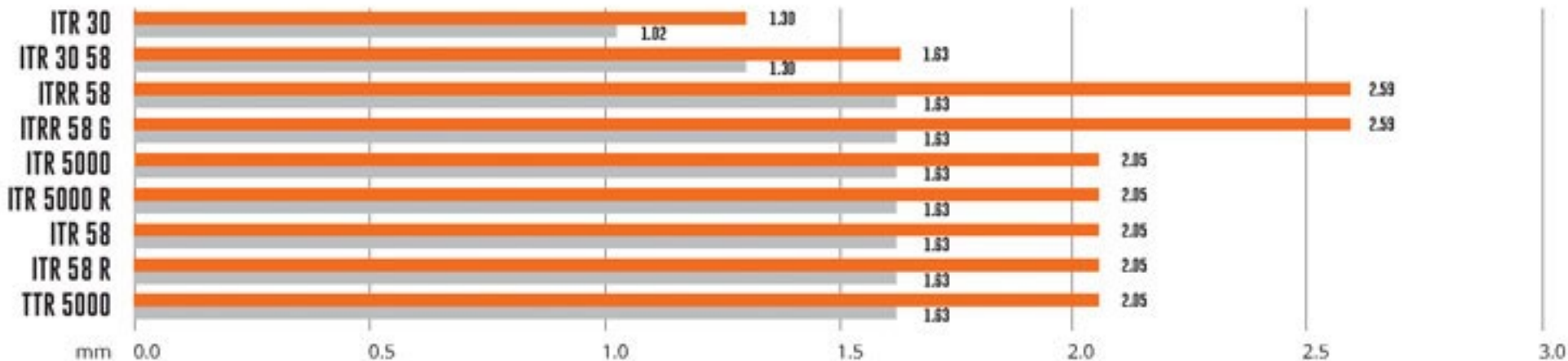
**MAXI 3mm**



# INDUCTION OR TUNGSTEN TREATMENT ON BLADES-3

CU COPPER WIRE  
FE IRON WIRE

## Induction-hardened/Tungsten cutting



# AIR NIPPERS-1

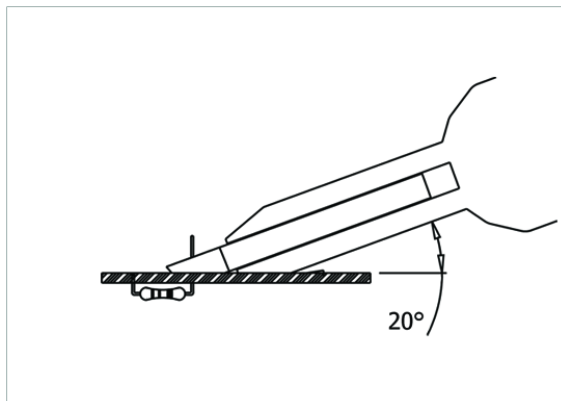
Piergiacomini offers several air nippers: flush cut, standoff flush cut (1.0mm, 1.3mm, 1.5mm), bevelled cut, 60° oblique flush cut. On the body of the tool (TPP) it is possible to mount all the air compressed tips of the catalogue.

[List of items](#)



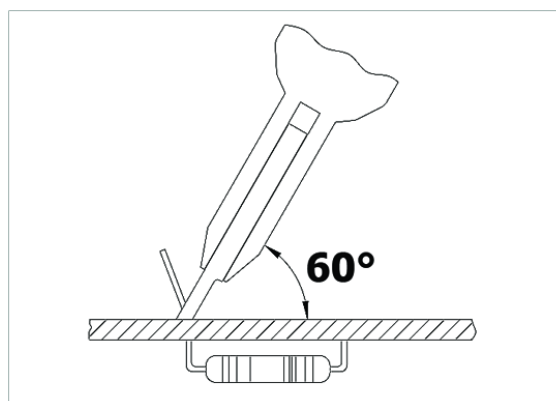
# AIR NIPPERS-FLUSH CUT

Piergiacomini offers 4 FLUSH CUT AIR NIPPERS: flush, tapered head, oblique, standoff.



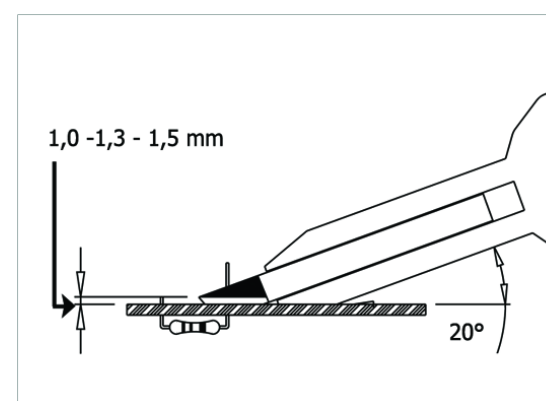
**FLUSH CUT, NORMAL AND TAPERED HEAD**

Order code	Ø mm
TPP TR 6000 R	1.60
TPP TR 6000 PR	1.30



**FLUSH CUT, OBLIQUE**

Order code	Ø mm
TPP TR 6000 V	1.30



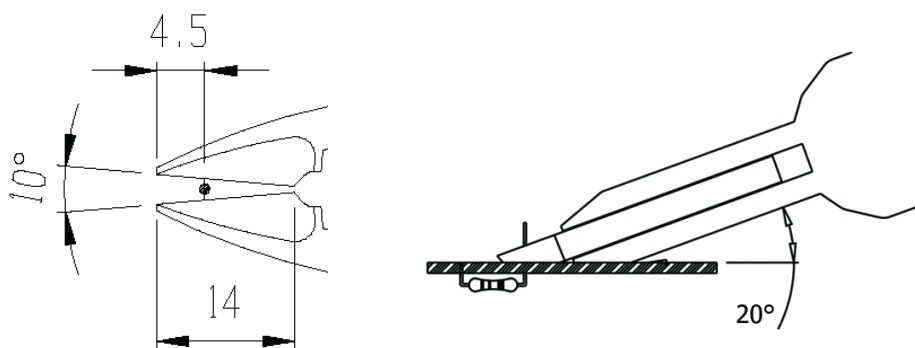
**FLUSH CUT, STANDOFF**

Order code	A (mm)	Ø mm
TPP TR 6000 10	1.0	1.60
TPP TR 6000 13	1.3	1.60
TPP TR 6000 15	1.5	1.60



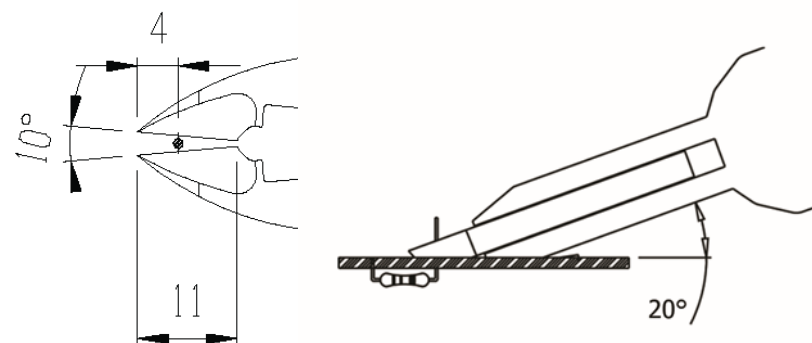
# AIR NIPPERS-BEVELLED CUT

Piergiacomini offers 2 BEVELLED CUT AIR NIPPERS



**BEVELLED CUT, STANDARD**

Order code	Ø mm
TPP TR 6000	1.60



**BEVELLED CUT, SHORT AND STRONG TIP**

Order code	Ø mm
TPP TR 6000 C	1.80



# AIR NIPPERS-ACCESSORIES



**KIT FOR TPP PEDAL ACTIVATION  
(pedal included)**

**Order code**



P-TPP



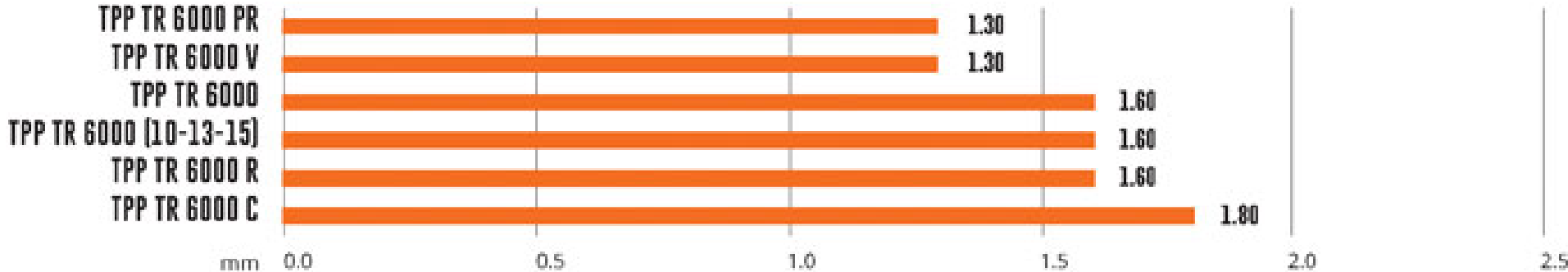
**PROTECTIVE COVER FOR AIR NIPPERS**

Order code	Suitable for MODELS:
TPP TR A	TPP-TR-6000 / TPP-TR-6000-R / TPP-TR-6000-C / TPP-TR-6000-PR / TPP-TR-6000 (10-13-15)
TPP TR VA	TPP-TR-6000-V

# AIR NIPPERS-2

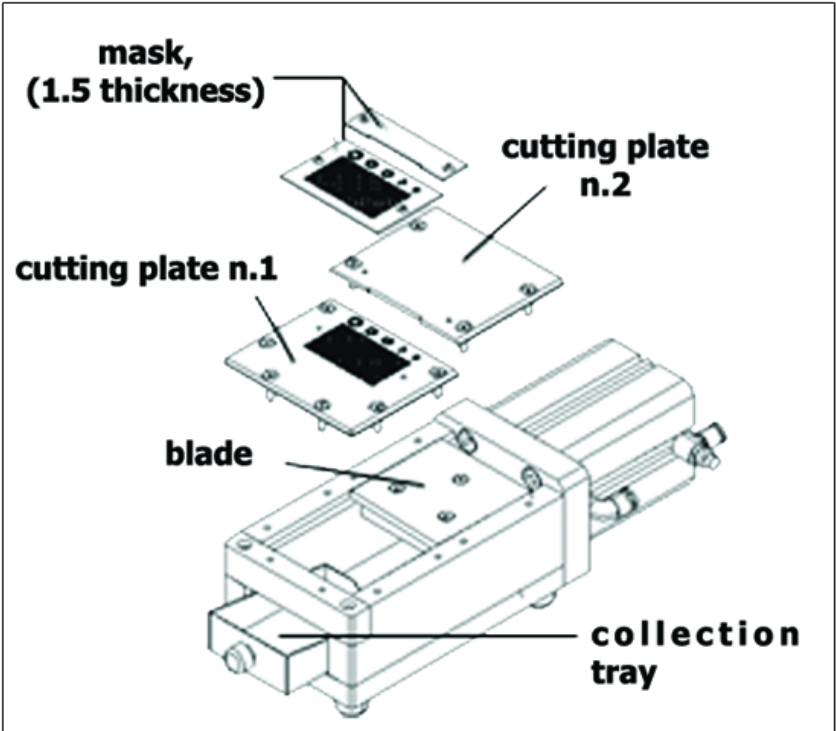
-  CU COPPER WIRE
-  FE IRON WIRE

## Air nippers



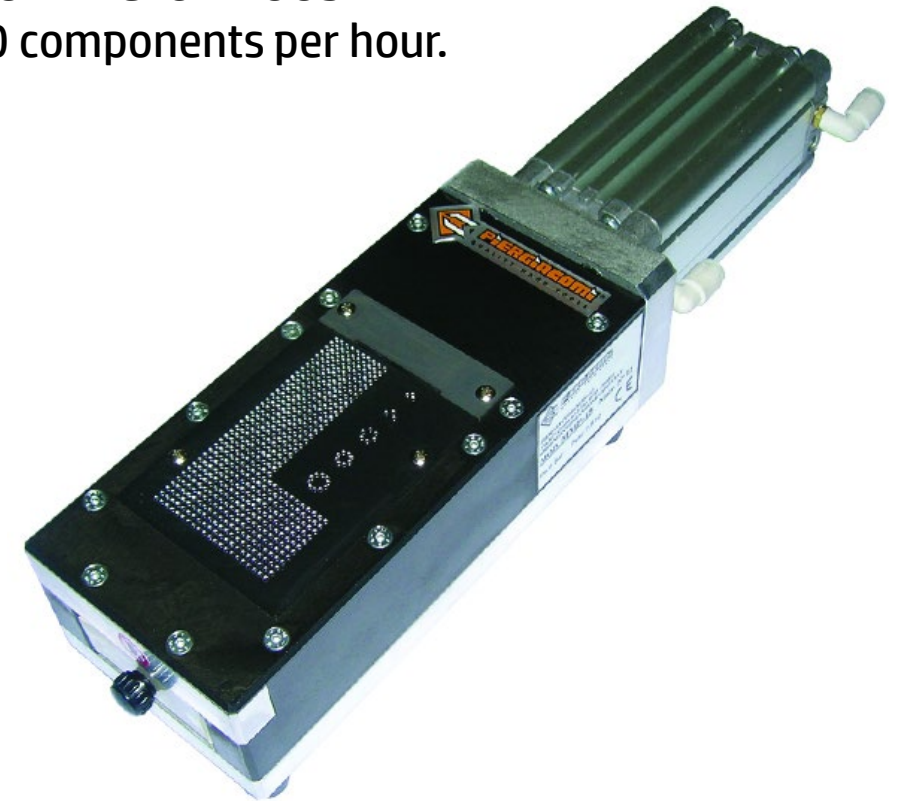
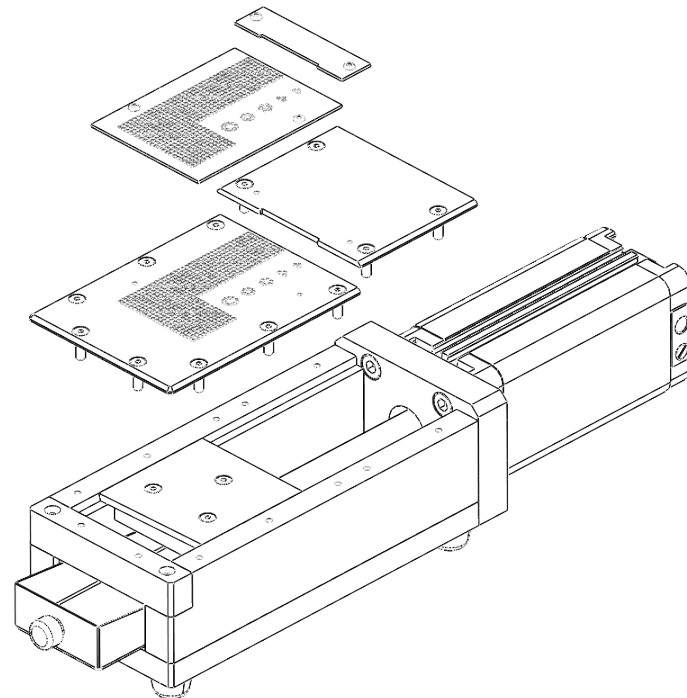
# PNEUMATIC CUTTING SYSTEMS MMP10

Piergiacomini offers TWO PNEUMATIC SYSTEMS FOR THE END CUTTING OF LOOSE RADIAL COMPONENTS, with pedal activation, capable of cutting up to 3000 components per hour.



# PNEUMATIC CUTTING SYSTEMS MMP15

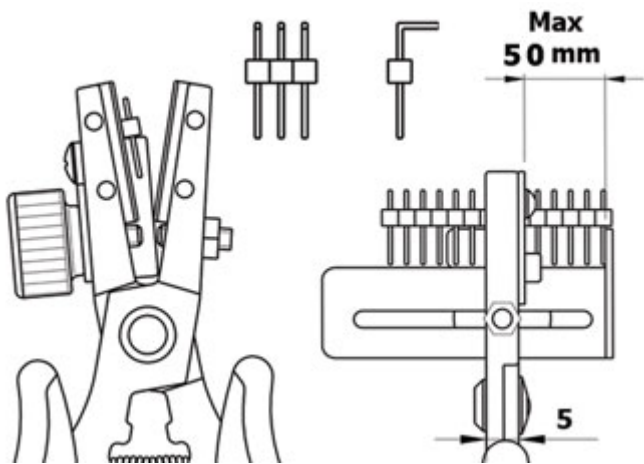
Piergiacomini offers TWO PNEUMATIC SYSTEMS FOR THE END CUTTING OF LOOSE RADIAL COMPONENTS, with pedal activation, capable of cutting up to 3000 components per hour.



# PIN STRIP CUTTER-1

Special tool designed for cutting straight and angled PIN STRIPS.

The adjustable stop allows setting the tool for different strip pitches (min. 3mm - max. 50mm). Cutting blade for angled pin strips included. It is possible to customize the adjustable stop's length. Steel thickness 5mm



[WATCH  
A VIDEO](#)

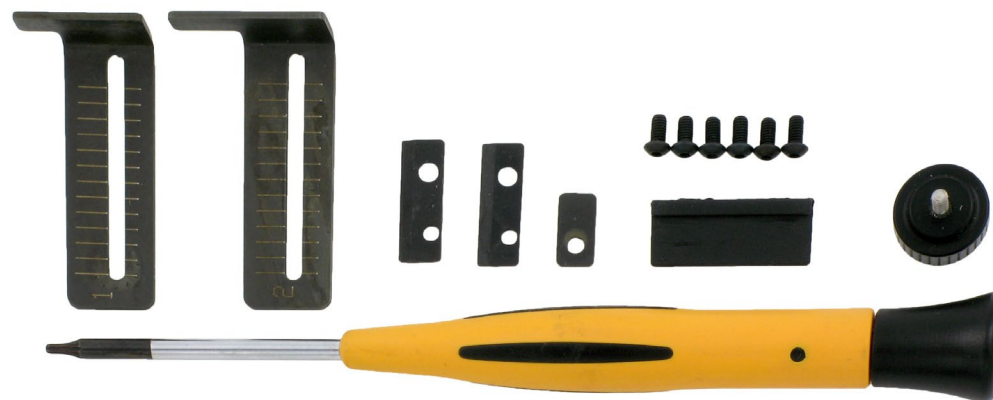
## PIN STRIP CUTTER-2

STR 50 Replacement kit.

On request, STR50 tool can be supplied together with a special kit useful for the general replacement of all wear parts.

NOTES:

The kit includes: adjustable stops, fixed reference stop, knob, cutting blade, fixing screw, screwdriver and a plastic tool for blade adjustment.



# PLIERS

---

# PLIERS



**SHORT NEEDLE NOSE**



**SHORT FLAT NOSE**



**LONG NEEDLE NOSE**



**LONG FLAT NOSE**



**ROUND NOSE**



**ROUND NOSE CUTTING**



**BENT NOSE**



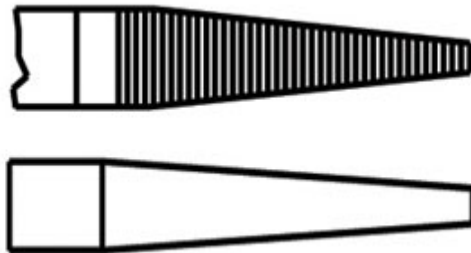
**CONTACTS INSERTION**

**ESD SAFE  
HANDLES ON  
REQUEST**



# SHORT NEEDLE NOSE PLIERS

Piergiacomini offers SHORT NEEDLE NOSE PLIERS in different dimensions and steel thickness. Serrated or smooth jaws available



**tip**



**MICRO 2mm**



**MEDIUM 3mm**



**MEDIUM 5mm**



# SHORT FLAT NOSE PLIERS

Piergiacomini offers SHORT FLAT NOSE PLIERS in different dimensions and steel thickness. Serrated or smooth jaws available



**tip**



**MEDIUM 3mm**

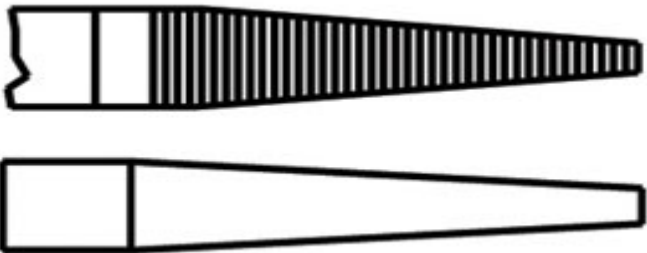


**MEDIUM 5mm**



# LONG NEEDLE NOSE PLIERS

Piergiacomini offers LONG NEEDLE NOSE PLIERS in different dimensions and steel thickness. Serrated or smooth jaws are available



tip



**MICRO 2mm**



**MEDIUM 3mm**



**MEDIUM 5mm**



# LONG FLAT NOSE PLIERS

Piergiacomini offers LONG FLAT NOSE PLIERS in different dimensions and steel thickness. Serrated or smooth jaws are available



**tip**



**MEDIUM 3mm**

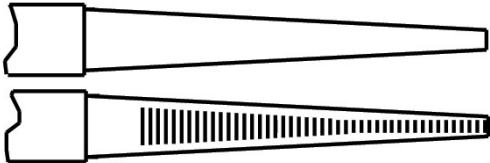


**MEDIUM 5mm**

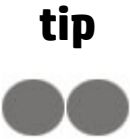


# ROUND NOSE PLIERS

Piergiacomini offers ROUND NOSE PLIERS in different tip diameters, shape and length. From  $\varnothing 1.0\text{mm}$  to  $\varnothing 1.8\text{mm}$ . Steel thickness 5mm. Serrated or smooth jaws are available



**Rounded jaws**

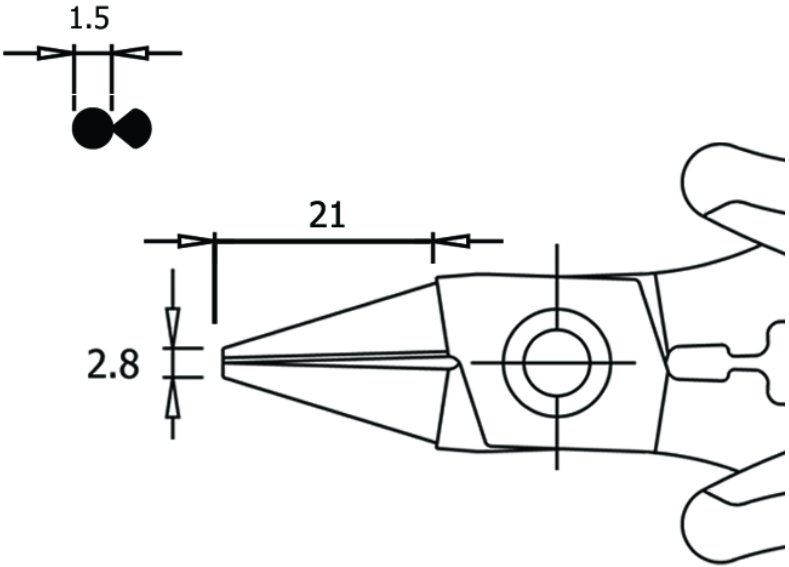


**One flat and one rounded jaw**



# ROUND NOSE AND CUTTING TIP PLIERS

Piergiacomini offers also a ROUND NOSE PLIERS with a CUTTING TIP

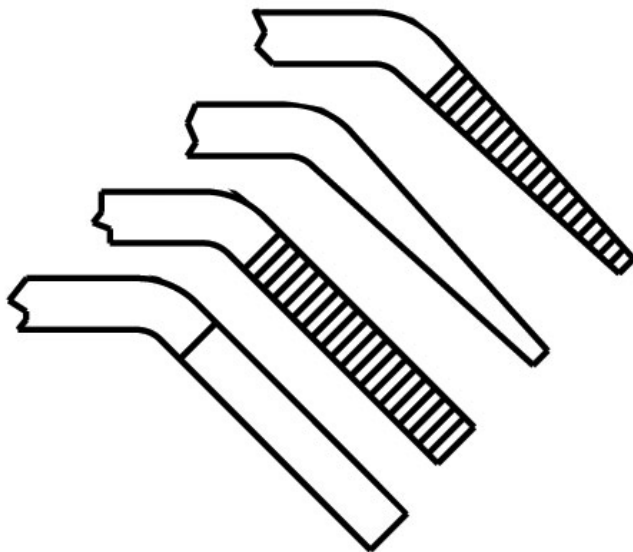


**Round cutting  
induction  
hardened tip**

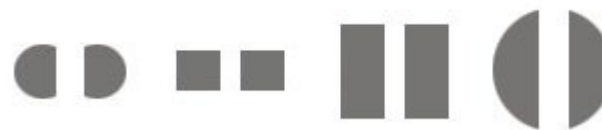


# **BENT NOSE PLIERS**

Piergiacomini offers 45° BENT NOSE PLIERS in different dimensions and steel thickness. Serrated or smooth jaws available. Needle nose, flat nose, rounded nose available.



**tips**



**MEDIUM 3mm**

**MICRO 2mm**

# CONTACT INSERTION PLIERS

Piergiacomini offers 3 CONTACT INSERTION PLIERS  
for different contact dimensions

**tips**



**List of items**

# SHEARS

---

# SHEARS

Piergiacomini offers 4 SHEARS, made by steel thickness 3mm with different shape. Cutting of soft wires from Ø1.30 to 1.63mm

[List of items](#)



# WIRE STRIPPERS

---

# WIRE STRIPPERS

Piergiacomini offers different kind of WIRE STRIPPERS tools. Suitable in several measures and shapes for wire diameters from 0.20 to 10.0mm



# ALL PURPOSE SHEARS

Piergiacomini offers several ALL PURPOSE TOOLS ideal when you need more than one function in a single tool. Different sizes available



**Shears-Pliers**



**Shears-Wire  
stripper**



**WATCH  
A VIDEO**

**Shears-  
Adjustable  
wire stripper**



**WATCH  
A VIDEO**

**Shears-Pliers-  
Wire stripper**



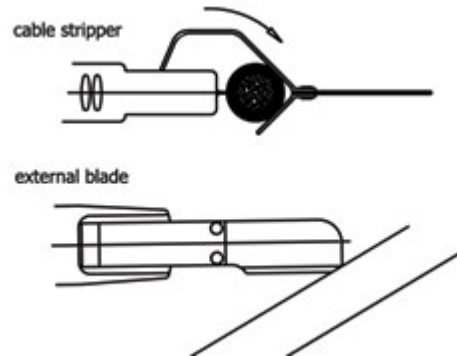
**WATCH  
A VIDEO**

# CABLE STRIPPERS

---

# CABLE STRIPPERS

Piergiacomini offers 6 DIFFERENT CABLE STRIPPERS with adjustable internal blade and external knife. For cable diameters from 4 to 50 mm



# CABLE CUTTERS

---

# CABLE CUTTERS

Piergiacomini offers 2  
DIFFERENT CABLE  
CUTTERS for cutting  
electrical cables Cu+Al



**TC14 supplied with  
return spring and  
lever block**



**TC18 max 18mm**



[WATCH  
A VIDEO](#)

[WATCH  
A VIDEO](#)

**TC14 max 14mm**

# EXTRACTORS

---

# EXTRACTORS

Piergiacomini offers  
DIFFERENT TYPES OF  
EXTRACTOR PLIERS.  
Different sizes  
available

**FOR PLCC**  
**From 32 to 84 pins**



**FOR ICs**  
**From 14 to 40 pins**



[List of items](#)



**FOR SMT COAX for SUHNER**  
**SMPX series and MMCX**  
**series connectors**

# FORMING PLIERS

---

# FORMING PLIERS



**"C" SHAPE**



**"U" SHAPE**



**90° FORMING**



**"L" SHAPE**



**FLAT COMPONENTS  
FORMING**



**SMALL ICs**



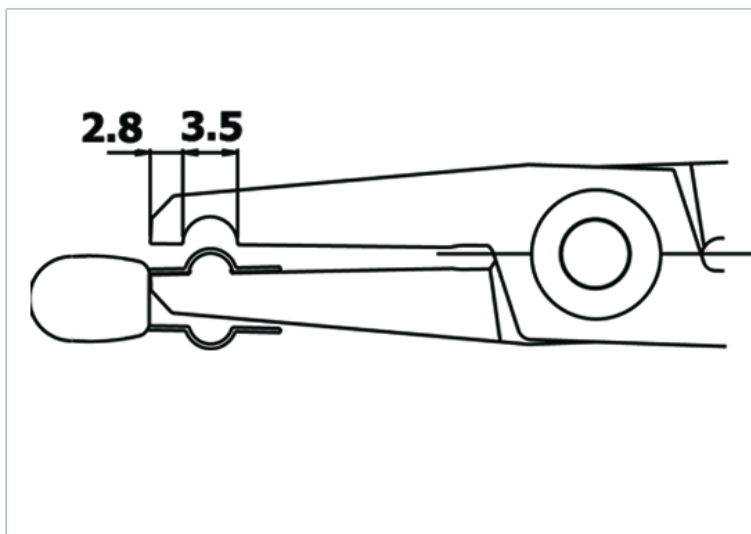
**CUT & PRESS**



**CUT & BEND**

# «C» SHAPE FORMING PLIERS-PNG5000D

Special **C-shape lead** forming tool.  
 For components leads max  $\varnothing$  0.8mm.  
 ESD safe handles.



**WATCH  
A VIDEO**



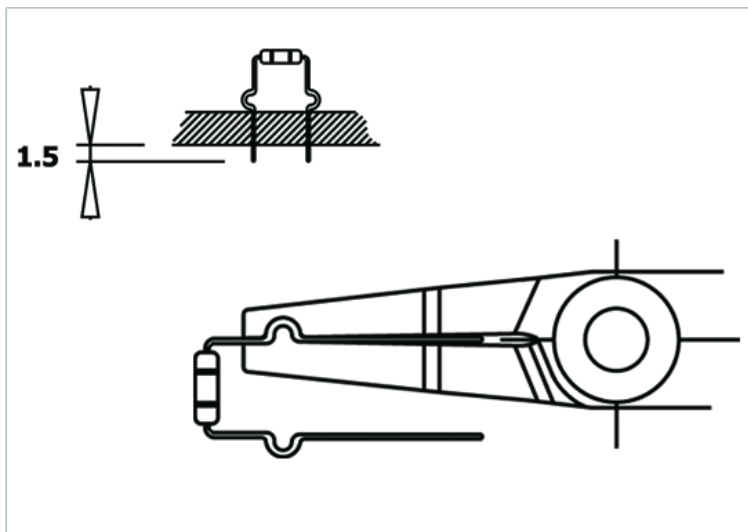
**List of  
items**

# «C» SHAPE FORMING PLIERS-PNR30D

Special **C-shape lead** forming tool. Tips **bent at 45°**.

For components leads max  $\varnothing$  0.8mm.  
ESD safe handles.

[List of items](#)



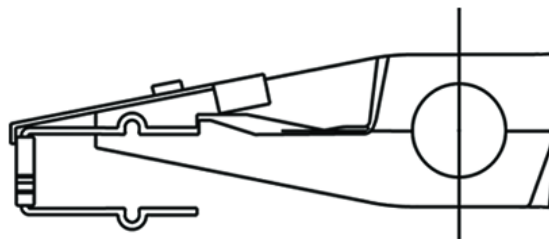
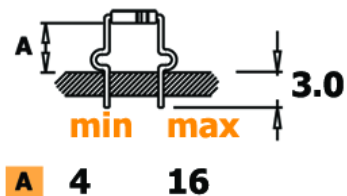
[WATCH A VIDEO](#)



# «C» SHAPE FORMING PLIERS-PNR5000D

**It cuts and forms** the leads in one step. The cutting length can be adjusted using the adjustable stop (min. 4 - max. 16).  
For components leads max  $\varnothing$  0.8mm.  
ESD safe handles.

List of items



WATCH A VIDEO

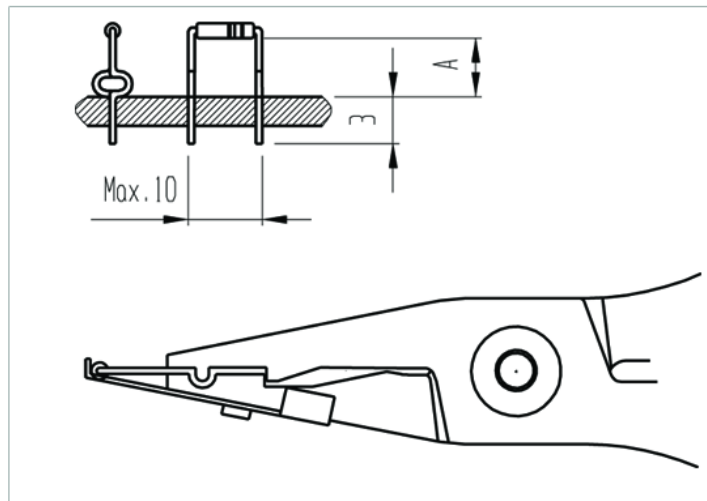


# «C» SHAPE FORMING PLIERS-PNR5010D

It creates a **C-shaped bend into both components leads** in one step. The cutting length can be adjusted using the adjustable stop (min. 4 - max. 16).

For components leads max  $\varnothing$  0.8mm.  
ESD safe handles.

List of items



**WATCH  
A VIDEO**

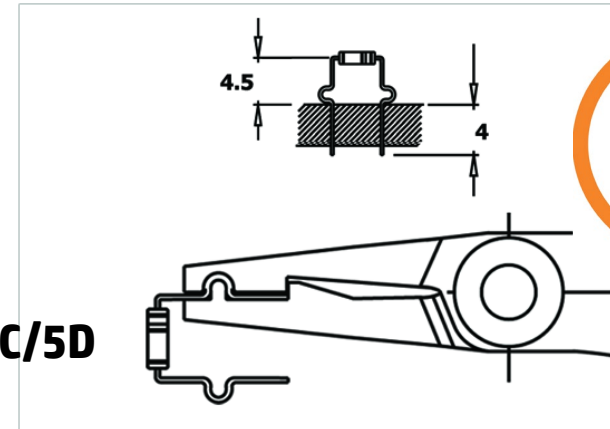


# «C» SHAPE FORMING PLIERS-PTR30CD, PTR30C/5D

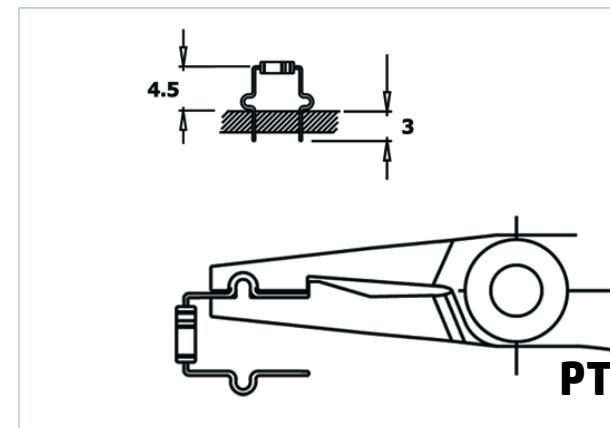
**It forms the component leads in a C-shape and cut off the residual part.** You can choose between having a residual lead length 4 mm using PTR30C/5D or a residual lead length 3 mm using PTR30C. For components leads max  $\varnothing$  0.8mm. ESD safe handles.



**WATCH  
A VIDEO**



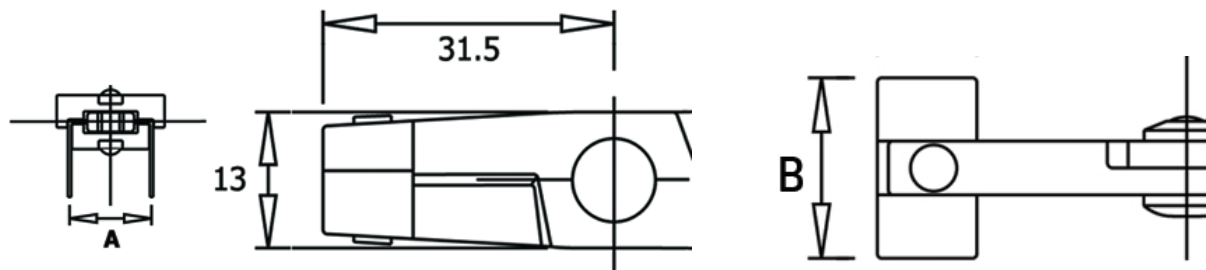
**List of  
items**



# «U» SHAPE FORMING PLIERS-PPR5000D SERIES

It forms the component lead in a "U" shape.

For components leads max  $\varnothing$  0.6÷0.8mm. ESD safe handles.



[List of items](#)

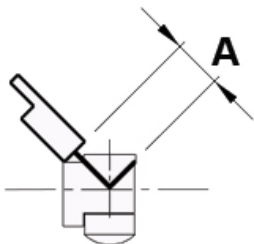
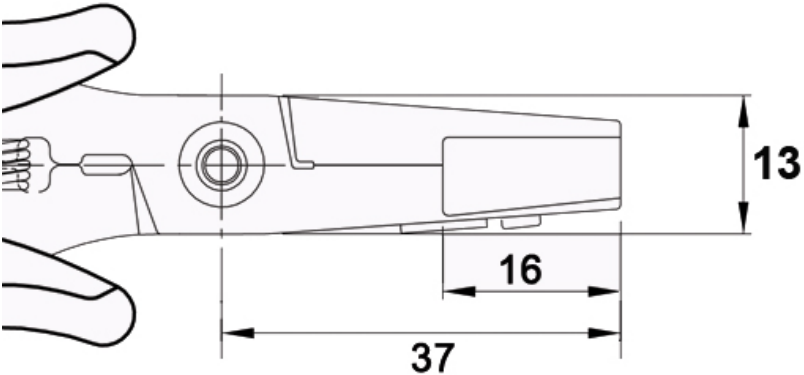


[WATCH A VIDEO](#)

Order code	A (mm)	B (mm)
PPR5000D	7.62	12
PPR5001D	10.16	15
PPR5002D	12.70	18
PPR5003D	15.24	20

## «90°» FORMING PLIERS-PN5040/7D

**It bends the leads to 90°.** With adjustable stop to adjust the forming distance (A)  
For components leads max  $\varnothing$  1.3 mm. ESD safe handles.



	Max	Min	Degrees
A	16	2.5	90°

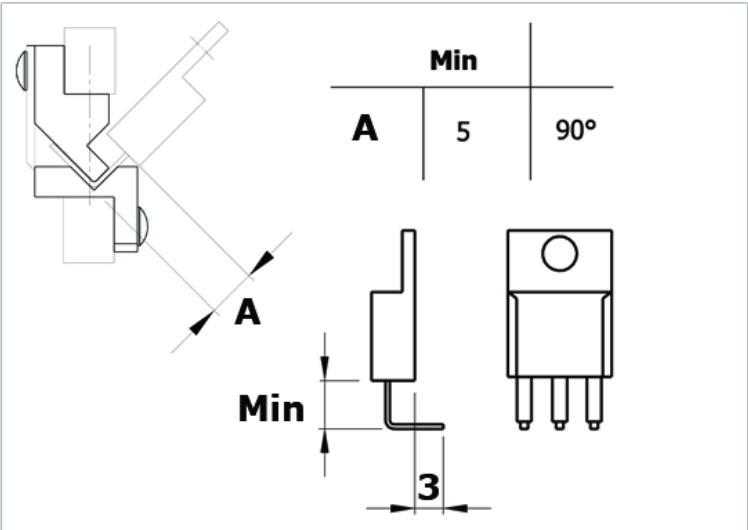


**WATCH  
A VIDEO**

**List of  
items**

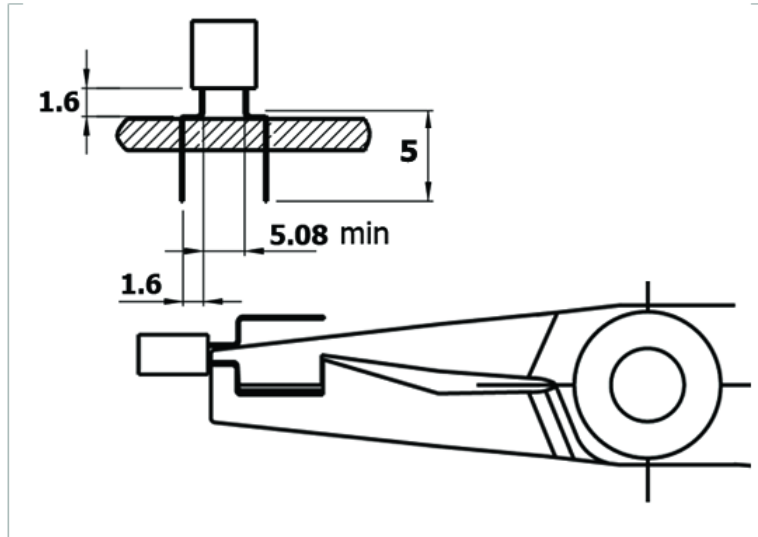
## «90°» FORMING PLIERS-PN5040/90D

**It cuts and bends the leads to 90°** in one step. With adjustable stop to adjust the forming distance (A)  
For components leads max cut  $\varnothing$  1.0mm.  
ESD safe handles.



# «L» SHAPE FORMING PLIERS-PTR30LD

It bends the leads in an “L” shape and cuts off the residual part in one step.  
For components leads max cut  $\varnothing$  0.8mm. ESD safe handles.

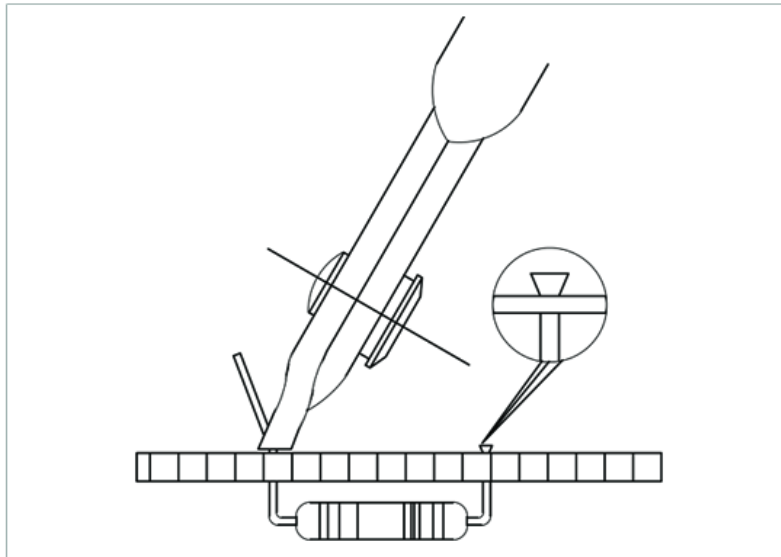


[WATCH  
A VIDEO](#)

[List of  
items](#)

# CUT AND PRESS FORMING PLIERS-TS30D

**It cuts and presses the component wire against the PCB in one step.**  
For components leads max cut  $\emptyset$  1.0mm. ESD safe handles.

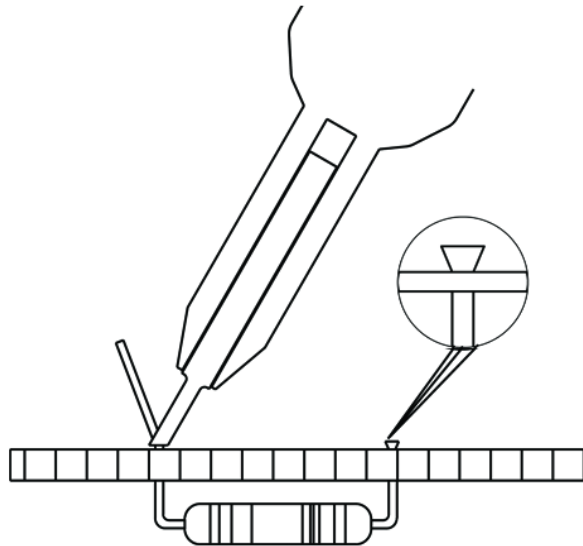


[WATCH  
A VIDEO](#)

[List of  
items](#)

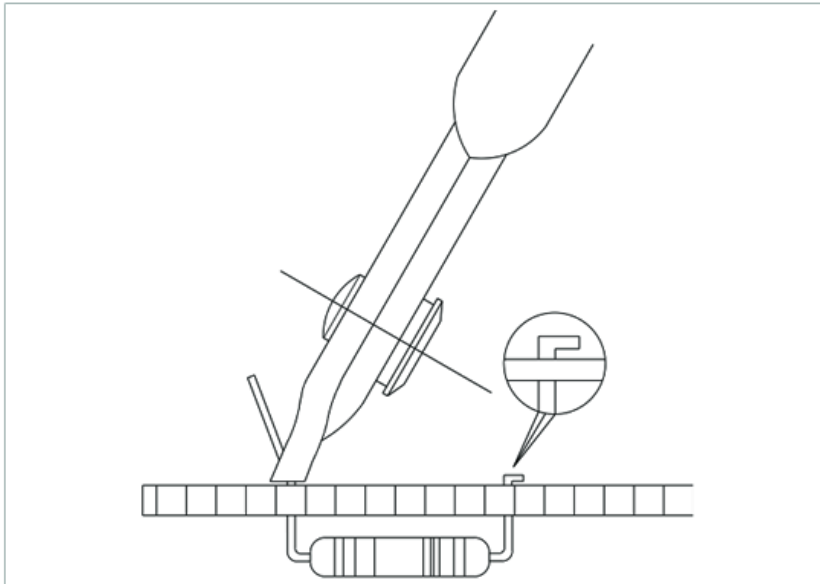
# CUT AND PRESS FORMING AIR PLIERS-TPPTS6000

**It cuts and presses the component wire against the PCB in one step. Pneumatic.**  
Lever activation.  
For components leads max cut  $\emptyset$  1.3mm. ESD safe handles.



# CUT AND BEND FORMING PLIERS-TP30D

**It cuts and bends the component wire against the PCB in one step.**  
For components leads max cut  $\emptyset$  0.6mm. ESD safe handles.

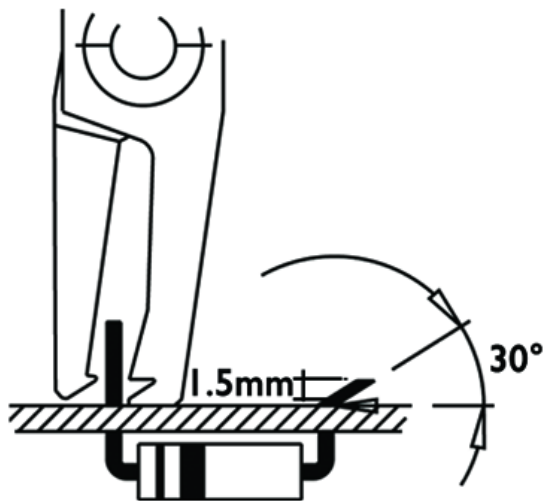


[WATCH  
A VIDEO](#)

[List of  
items](#)

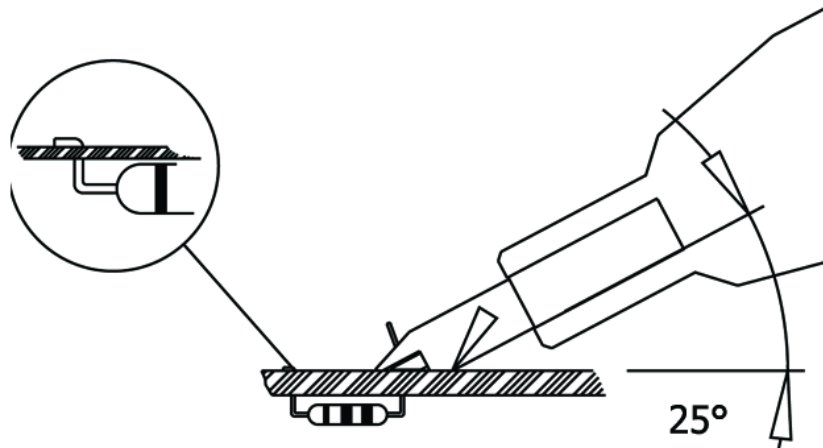
## CUT AND BEND FORMING PLIERS-TP5000/15D

**It cuts and bends the component wire against the PCB in one step.**  
For components leads max cut  $\emptyset$  0.8mm. ESD safe handles.



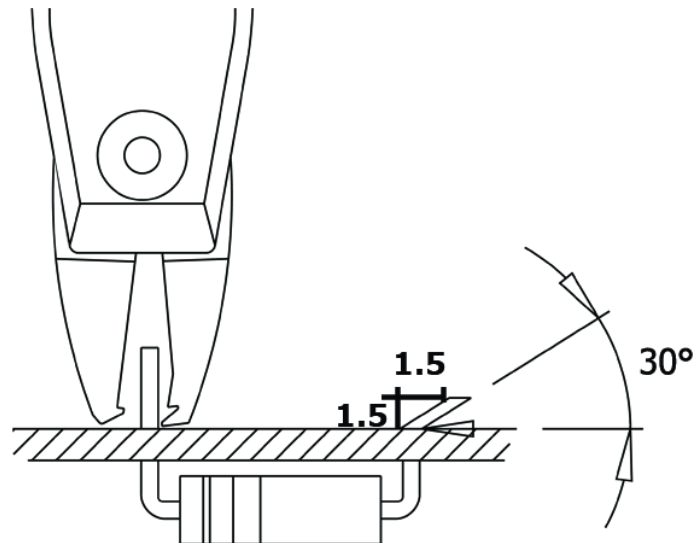
# CUT AND BEND FORMING AIR PLIERS-TPPTP6000

**It cuts and bends the component wire against the PCB in one step. Pneumatic.**  
Lever activation.  
For components leads max cut  $\varnothing$  1.0mm. ESD safe handles.



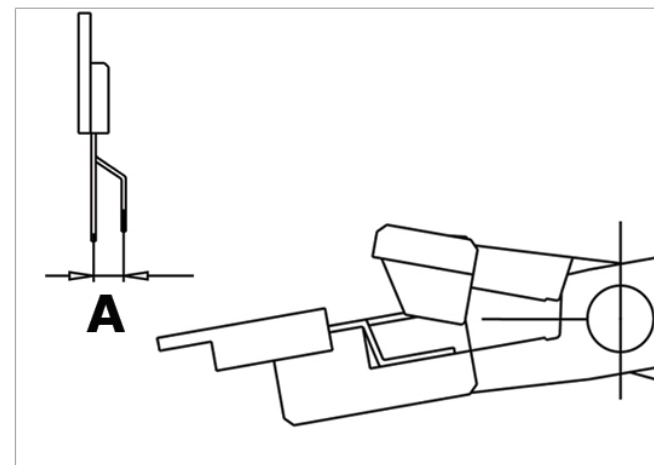
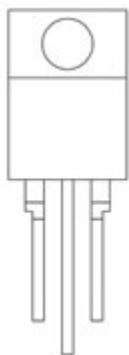
# CUT AND BEND FORMING AIR PLIERS-TPPTP6000-15

**It cuts and bends the component wire against the PCB in one step. Pneumatic.**  
 Lever activation.  
 For components leads max cut  $\emptyset$  1.0mm. ESD safe handles.



# «TO» FORMING PLIERS –PN5050/04-10-16D

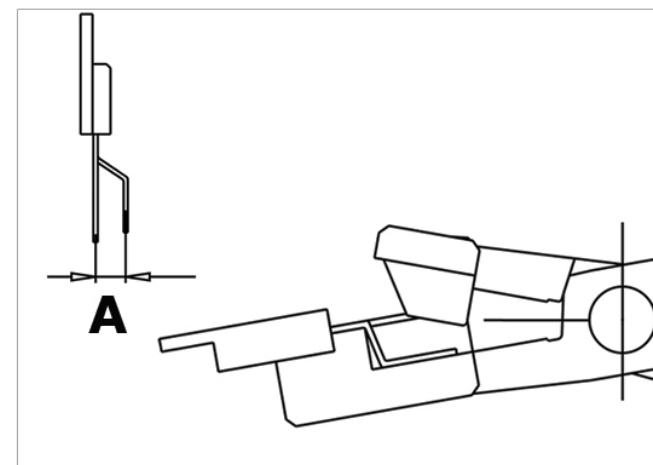
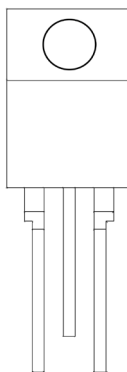
Special pliers that forms the **TWO SIDE LEADS** of **T0220** and **T0247 (3LEADS)** at a **specific pitch**. Available in 3 models with different pitches (**A**)mm. For components leads max Ø 0.6mm. ESD safe handles.



Order code	A (mm)
<u>PN5050/04D</u>	5.08
<u>PN5050/10D</u>	2.54
<u>PN5050/16D</u>	3.81

# «TO» FORMING PLIERS –PN5050/3-14-15D

Special pliers that forms the **CENTRAL LEAD** of **T0220** and **T0247 (3 LEADS)** at a specific pitch. Available in 3 models with different pitches (**A**)mm. For components leads max Ø 0.6mm. ESD safe handles.



Order code	A (mm)
<u>PN5050/3D</u>	5.08
<u>PN5050/14D</u>	3.00
<u>PN5050/15D</u>	2.54

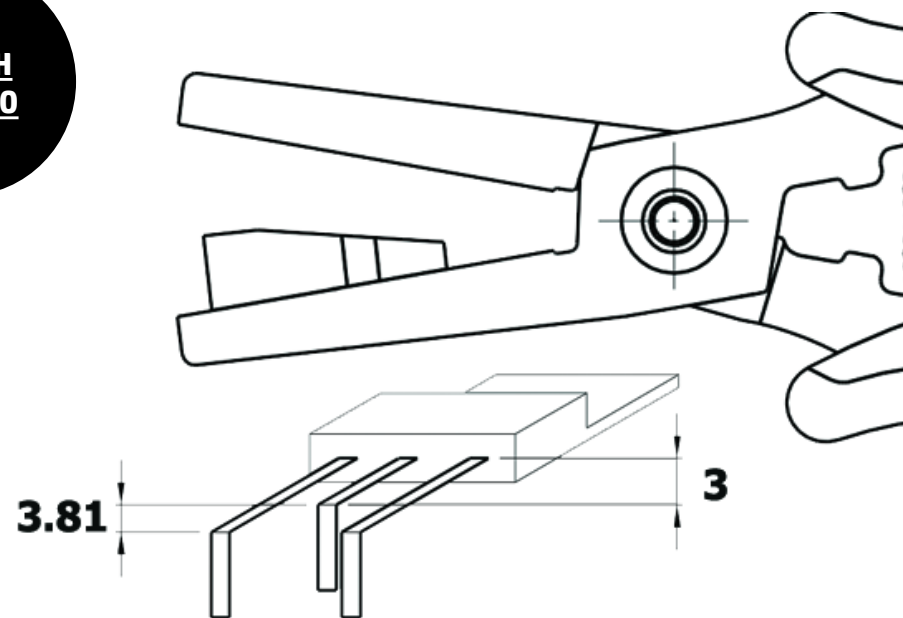
# «TO» FORMING PLIERS – PN5050/73D

Special pliers that forms **AT 90°** the **T0220 (3 LEADS)** LEAVING the **CENTRAL LEAD 3.81mm SHORTER** than the **side ones**. For components leads max  $\varnothing$  0.6mm. ESD safe handles.



[List of items](#)

[WATCH A VIDEO](#)



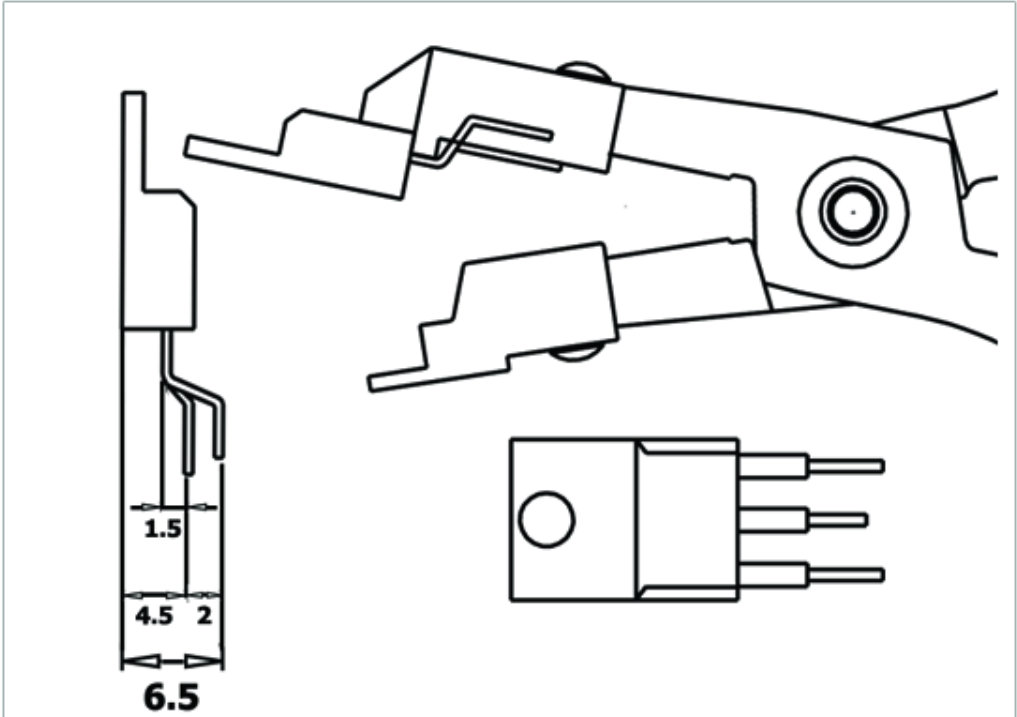
# «TO» FORMING PLIERS – PN5050/60D

Special pliers that forms the **SIDE LEADS OF T0220 and T0247 (3 LEADS) AT 1.5mm PITCH AND THE CENTRAL LEAD AT 4.5mm PITCH**. For components leads max  $\varnothing$  0.6mm. ESD safe handles.



**WATCH  
A VIDEO**

**List of  
items**

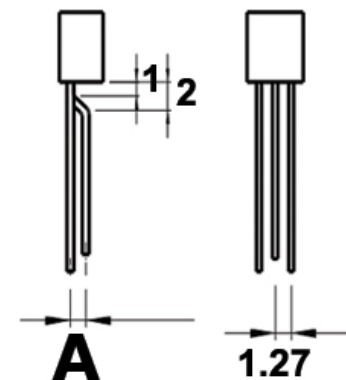
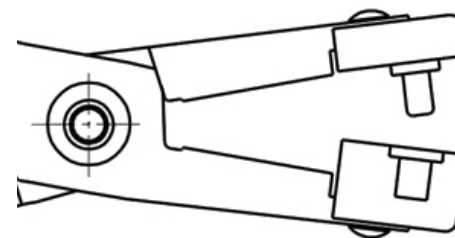


# «TO» FORMING PLIERS – PN5050/25-49D

Special pliers that forms the **CENTRAL LEAD** of T092 at a **specific pitch**. Available in 2 models with different pitches (**A**)mm. For components leads max Ø 0.6mm. ESD safe handles.



**List of items**



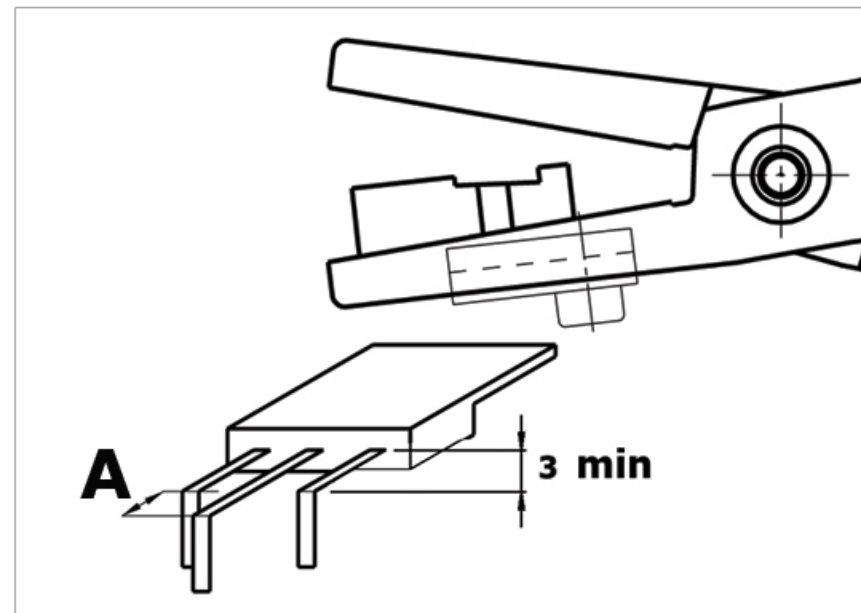
Order code	A (mm)
PN5050/25D	1.27
PN5050/49D	2.54

# «TO» FORMING PLIERS –PN5050/6-17D

Special pliers that forms AT 90° the **T0220 (3 LEADS)** LEAVING THE CENTRAL LEAD LONGER THAN THE SIDE LEADS. Available in 2 models with 2 lengths (A)mm. For components leads max Ø 0.6mm. ESD safe handles.



**List of items**



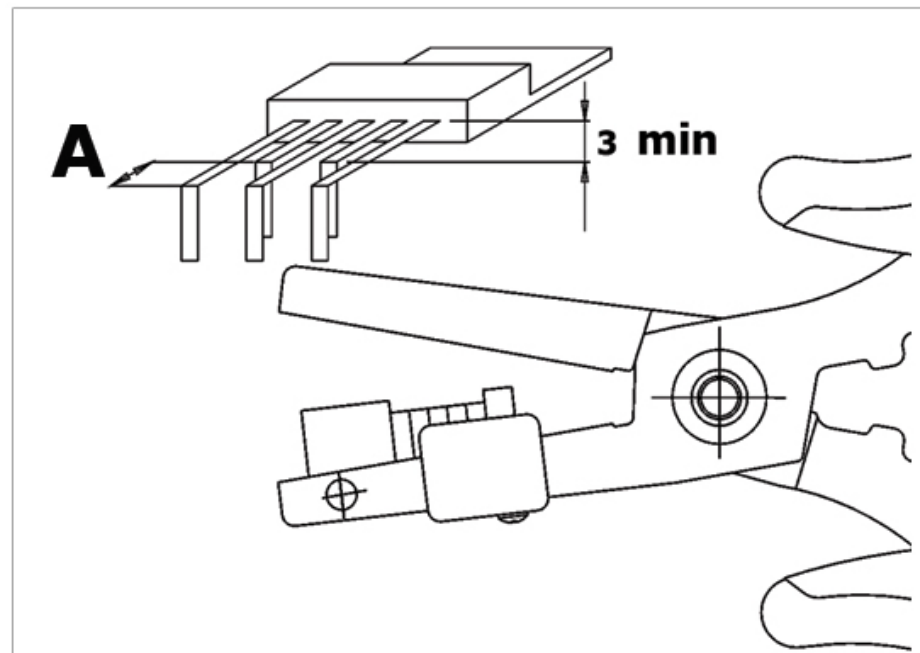
Order code	A (mm)
<u>PN5050/6D</u>	2.54
<u>PN5050/17D</u>	3.81

# «TO» FORMING PLIERS –PN5050/37-46D

Special pliers that forms AT 90° the **T0220 (5 LEADS)** **LEAVING LEADS 2-4 SHORTER OF (A)mm THAN LEADS 1-3-5**. Available in 2 models with different lengths (A)mm. For components leads max Ø 0.6mm. ESD safe handles.



**List of items**



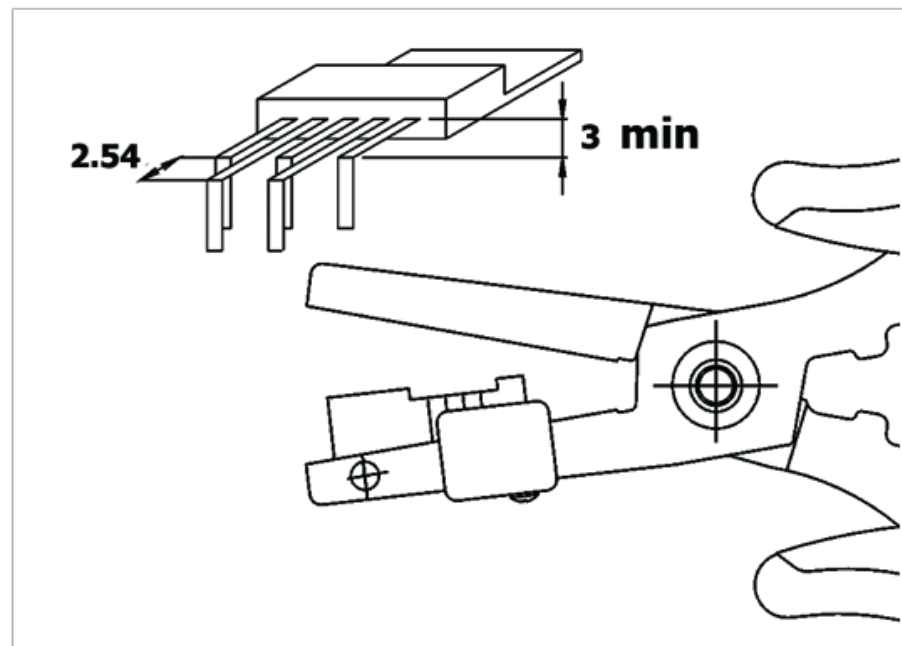
Order code	A (mm)
<u>PN5050/37D</u>	2.54
<u>PN5050/46D</u>	3.81

# «TO» FORMING PLIERS – PN5050/21-D

Special pliers that forms AT 90° the **T0220 (5 LEADS)** LEAVING LEADS 1-3-5 SHORTER OF 3.81mm THAN LEADS 2-4. For components leads max Ø 0.6mm. ESD safe handles.



**List of items**

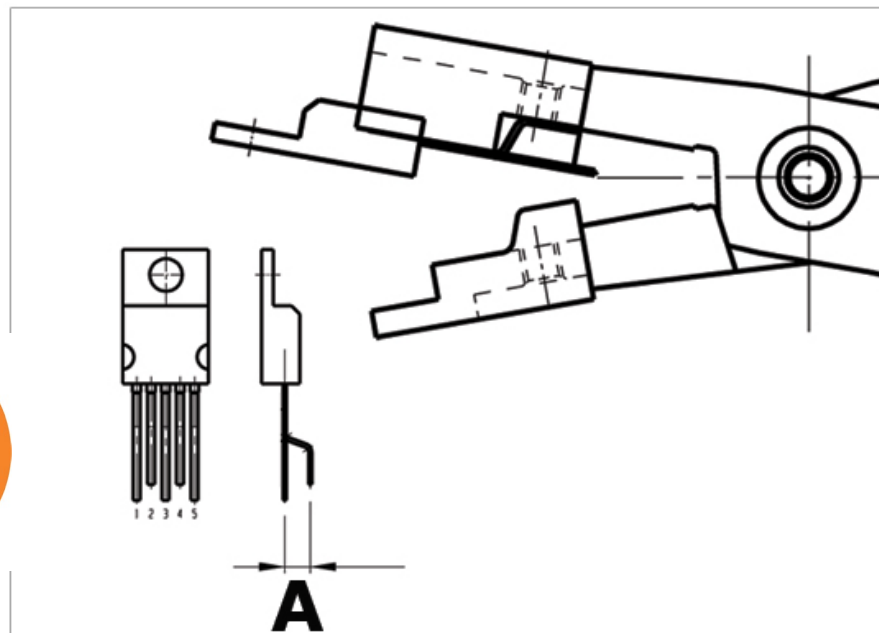


# «TO» FORMING PLIERS –PN5050/36-53D

Special pliers that forms **AT 90°** the **T0220 (5 LEADS)**. **IT FORMS LEADS 2-4 AT (A)mm PITCH.** Available in 2 models with different PITCHES (A)mm. For components leads max Ø 0.6mm. ESD safe handles.



**List of items**



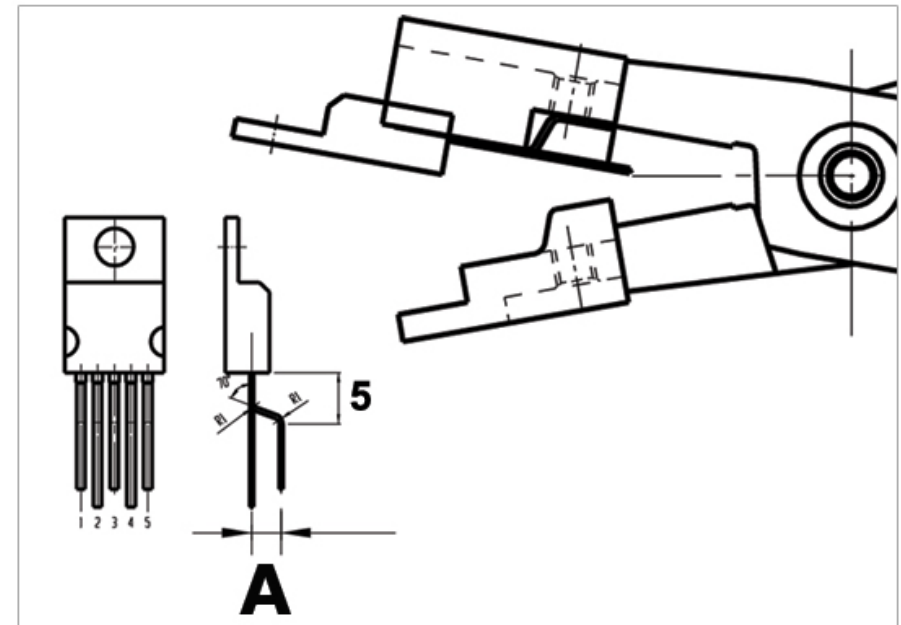
Order code	A (mm)
<u>PN5050/36D</u>	3.00
<u>PN5050/53D</u>	2.54

# «TO» FORMING PLIERS – PN5050/38-54D

Special pliers that forms **AT 90°** the **TO220 (5 LEADS)**. **IT FORMS LEADS 1-3-5 AT (A)mm PITCH.** Available in 2 models with different PITCHES (A)mm. For components leads max Ø 0.6mm. ESD safe handles.



**List of items**



Order code	A (mm)
<u>PN5050/38D</u>	3.00
<u>PN5050/54D</u>	2.54

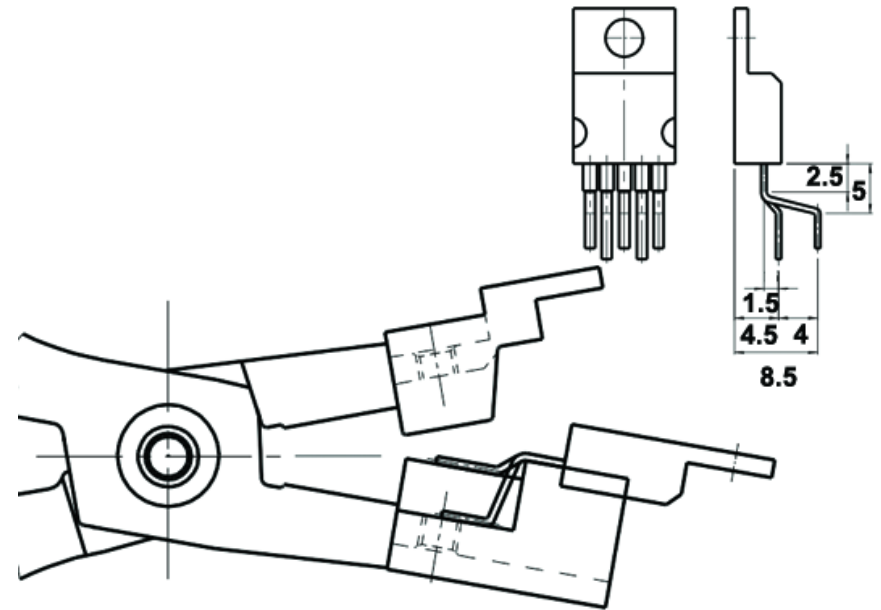
# «TO» FORMING PLIERS –PN5050/19D

Special pliers that forms the **T0220 (5 LEADS)**. IT FORMS LEADS 1-3-5 AT 4mm PITCH and LEADS 2-4 AT 1.5mm PITCH. For components leads max  $\varnothing$  0.6mm. ESD safe handles.



**WATCH  
A VIDEO**

**List of  
items**

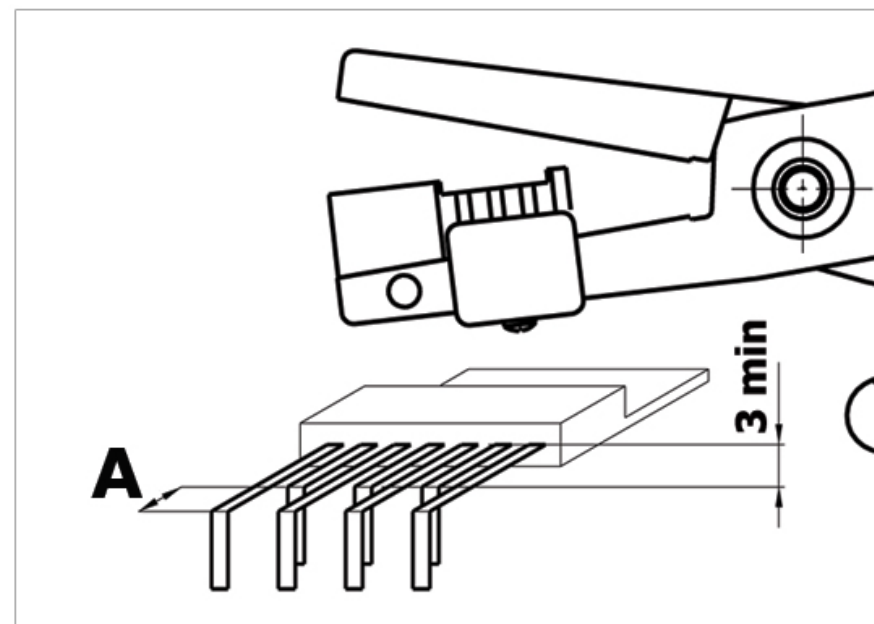


# «TO» FORMING PLIERS –PN5050/47-67D

Special pliers that forms AT 90° the **T0220 (7 LEADS)** **LEAVING LEADS 2-4-6 SHORTER OF (A)mm THAN LEADS 1-3-5-7**. Available in 2 models with different lengths (A)mm. For components leads max Ø 0.6mm. ESD safe handles.



List of items



Order code	A (mm)
<u>PN5050/47D</u>	2.54
<u>PN5050/67D</u>	3.81

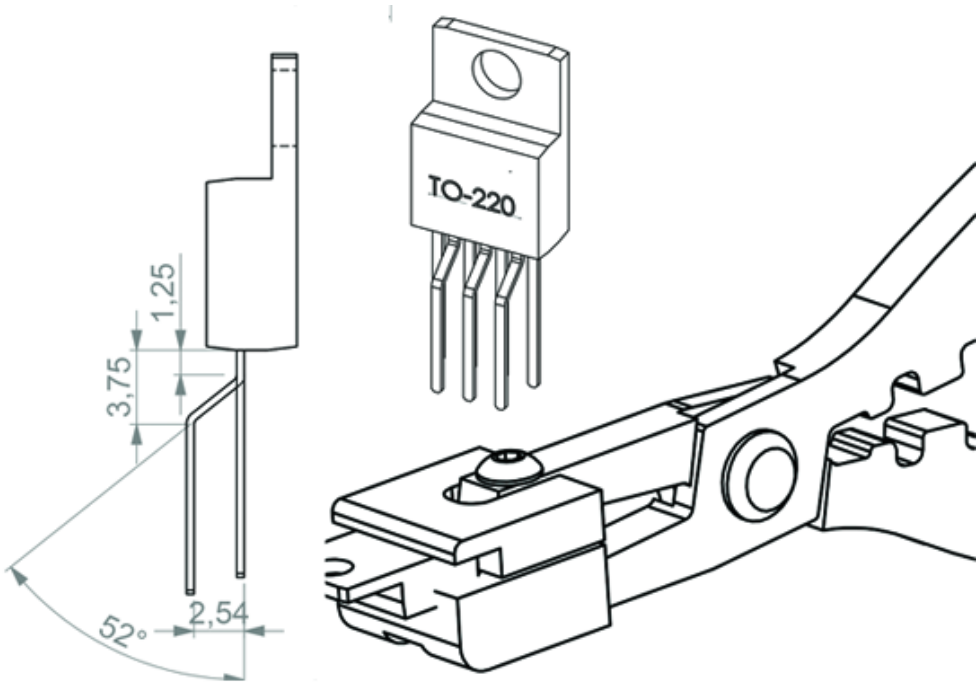
# ◀ «TO» FORMING PLIERS – PN5050/77D

Special pliers **that forms the T0220 (7 LEADS) IT FORMS LEADS 2-4-6 AT 2.54mm PITCH.** For components leads max  $\varnothing$  0.6mm. ESD safe handles.



[WATCH  
A VIDEO](#)

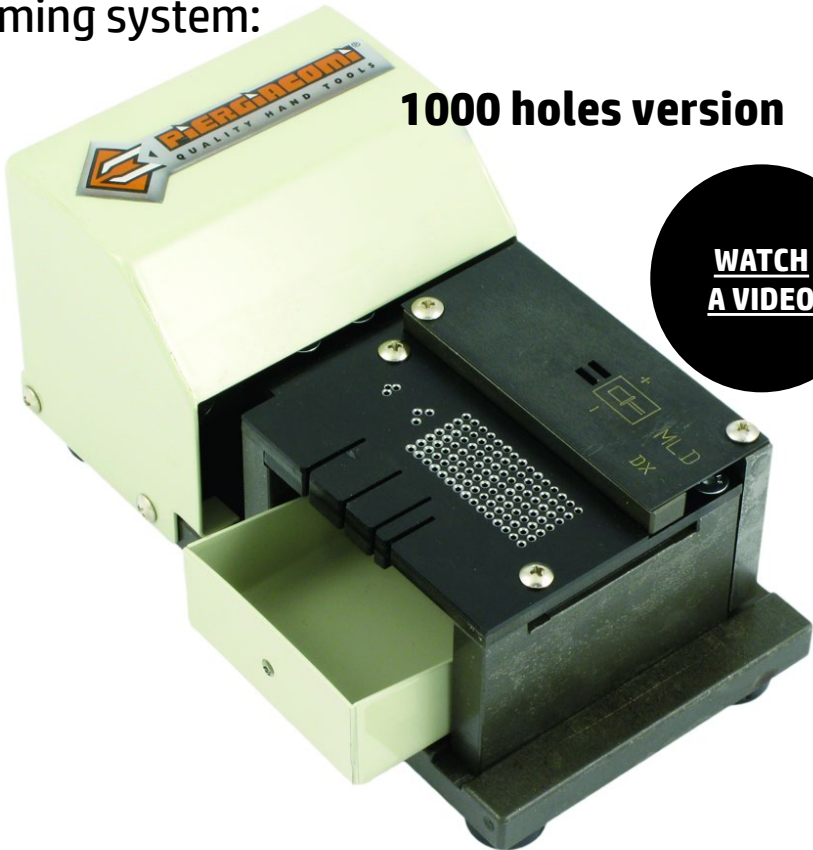
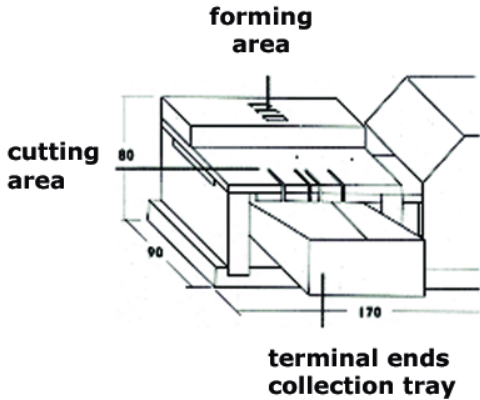
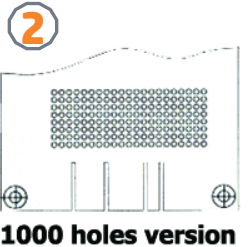
[List of  
items](#)



# FORMING SYSTEMS 2000S

Piergiacomini offers two VERSIONS of this pneumatic cutting and forming system:

- 1 With a BASIC cutting plate
- 2 With a 1000 holes cutting plate





# FORMING SYSTEMS 2000S

---

The 2000S is a pneumatic machine for cutting (standard height 3mm) and forming of untaped electronic component terminals.

The machine is supplied standard with only the cutting area, and thanks to the additional mask (height 1.5mm) a total cutting height of 4.5mm is reached.

As optional, there are different models of forming masks suitable for your needs.

Hole diameter: 1.2mm  
Eyelet width: 1.0mm

Activated by pedal.

**STANDARD VERSION:**

Pitch, 3 dedicated cutting area

3 pins 2.54x1.27mm

3 pins 3.81x2.54mm

5 pins 5.08x5.08mm

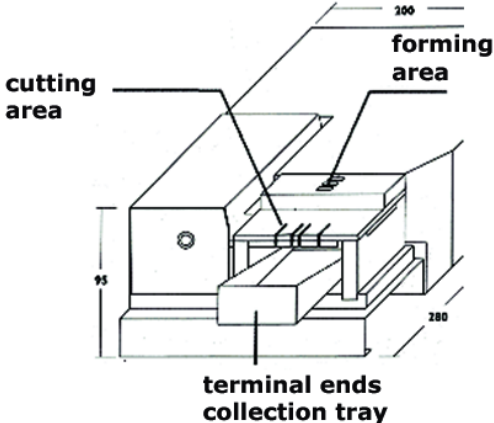
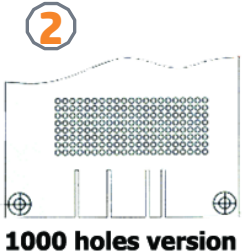
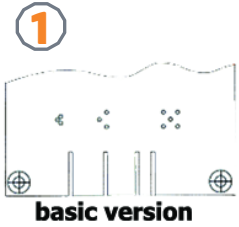
**1000 HOLES VERSION:**

Pitch: 2.54mm

## FORMING SYSTEMS 2000SE

Piergiacomini offers two VERSIONS of this electric cutting and forming system:

- 1 With a BASIC cutting plate
- 2 With a 1000 holes cutting plate





# FORMING SYSTEMS 2000SE

---

The 2000SE is an electric machine for cutting (standard height 3mm) and forming of untaped electronic component terminals.

The machine is supplied standard with only the cutting area, and thanks to the additional mask (height 1.5mm) a total cutting height of 4.5mm is reached.

As optional, there are different models of forming masks suitable for your needs.

This system is supplied with an IP 220V plug - GP 220V/240V plug adapter.

Hole diameter: 1.2mm

Eyelet width: 1.0mm

Activated by pedal.

**STANDARD VERSION:**

Pitch, 3 dedicated cutting area:

3 pins 2.54x1.27mm

3 pins 3.81x2.54mm

5 pins 5.08x5.08mm

**1000 HOLES VERSION:**

Pitch: 2.54mm

# TWEEZERS

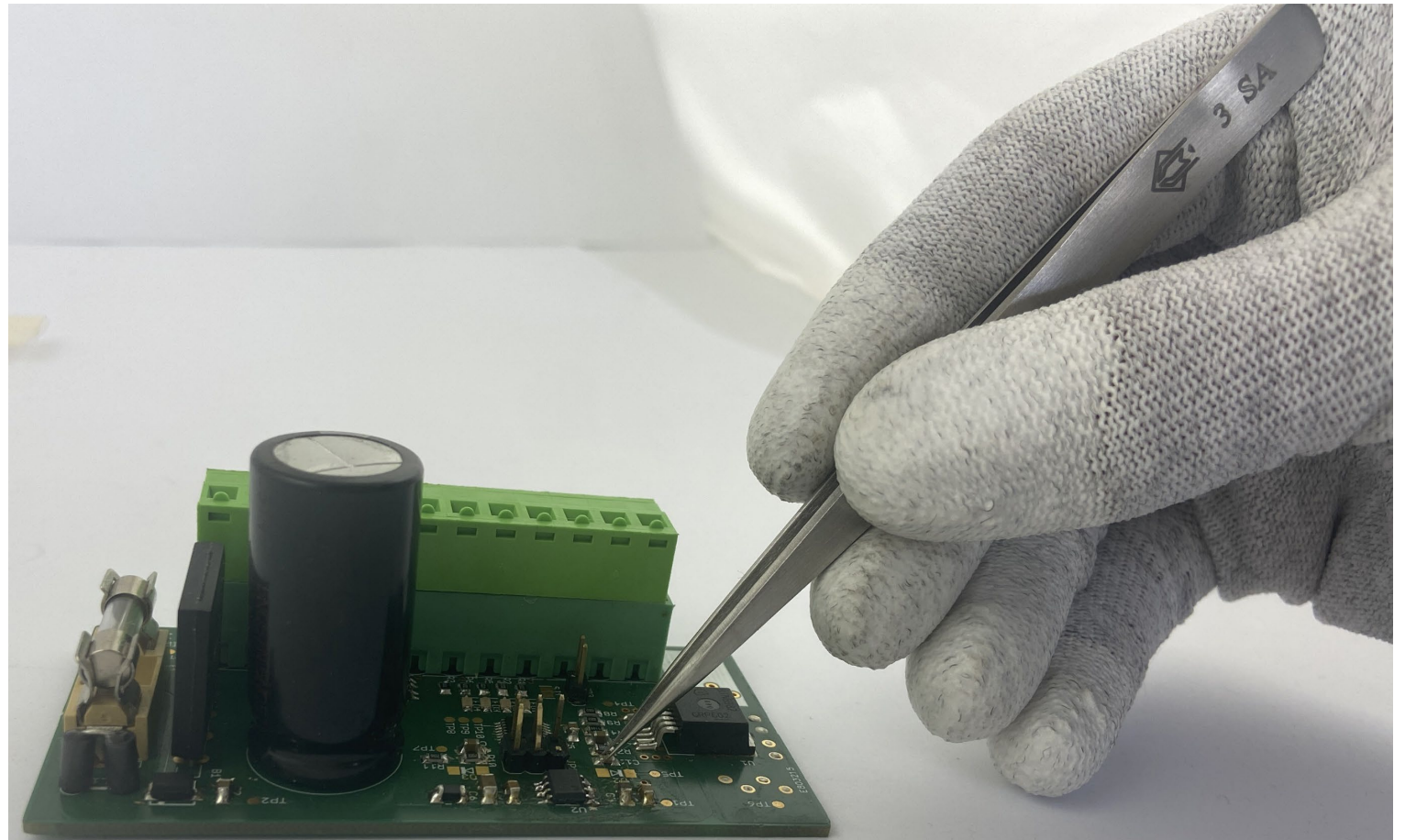
---

# PRECISION TWEEZERS

## POINTED STRAIGHT TIPS

Ideal for the application in micro electronics, jewelry, watchmaker where precision is needed.

List of items

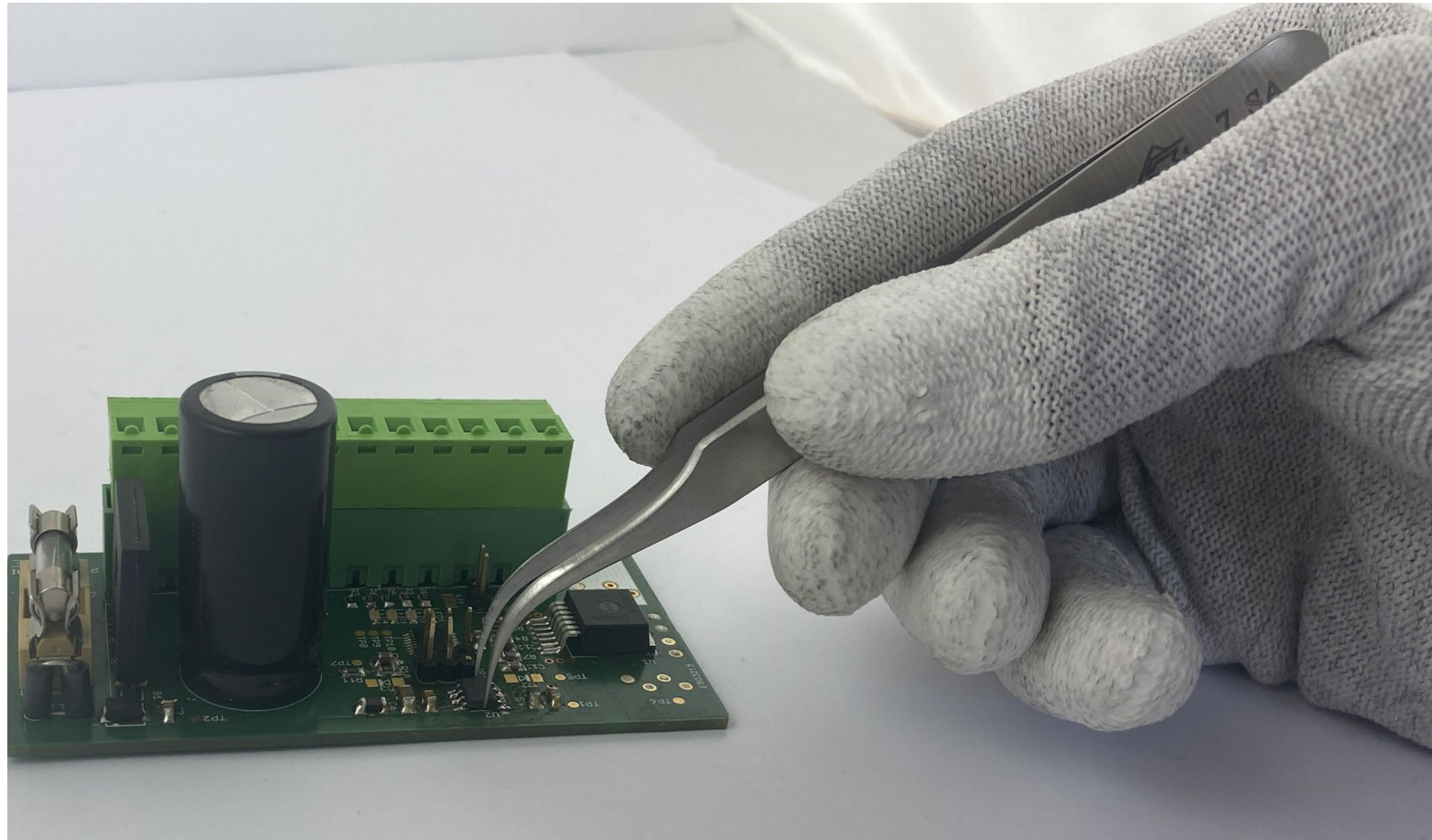


## BENT TWEEZERS

### BENT TIPS

Ideal for working in difficult to reach area. Different tips available (very fine, fine or flat tips).

List of  
items

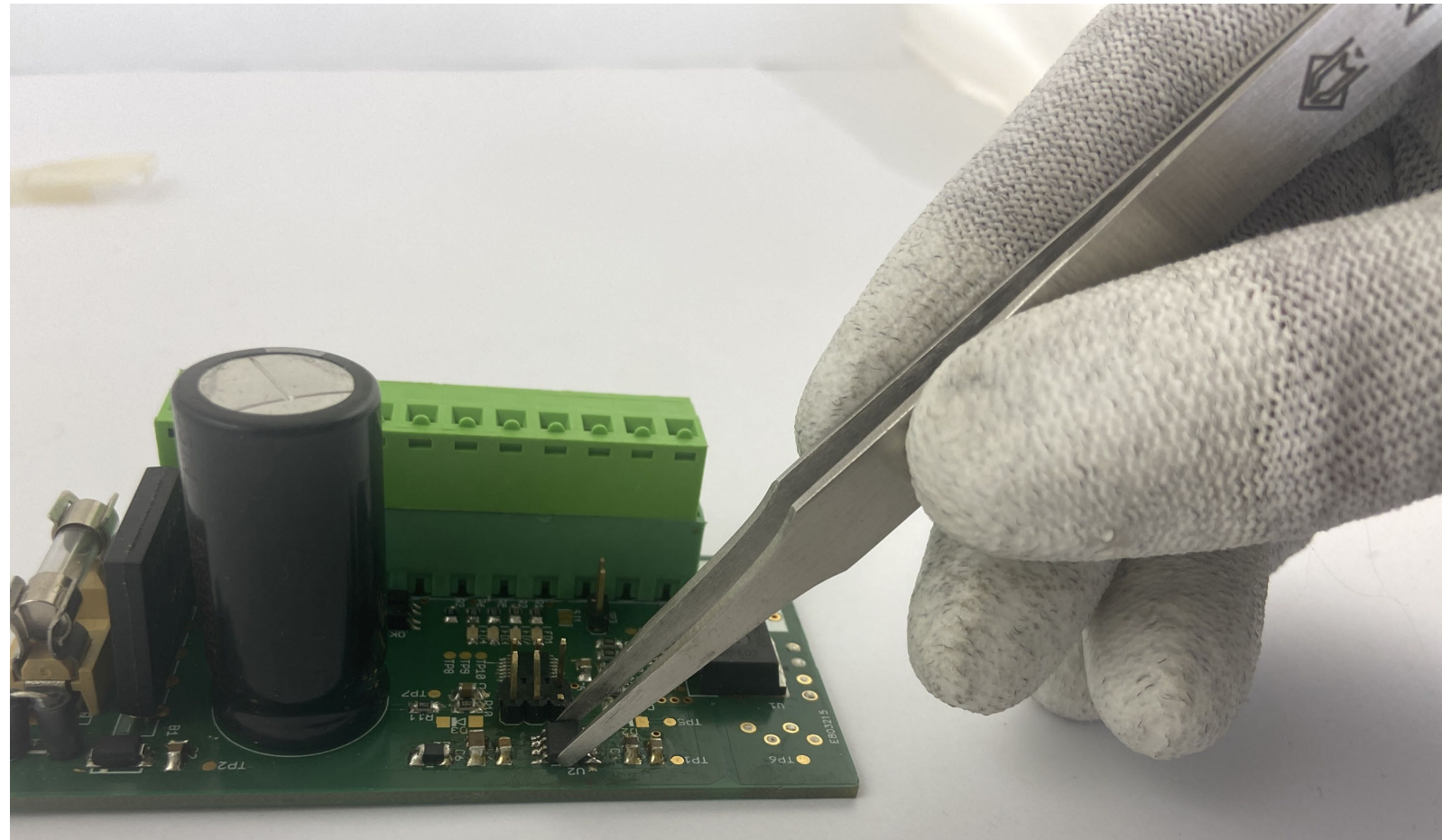


# FLAT TIPS TWEEZERS

## FLAT TIPS

Flat tip tweezers are ideal for placing and removing flat items without damaging them, labels, lens and other delicate objects. Rounded tips.

List of items

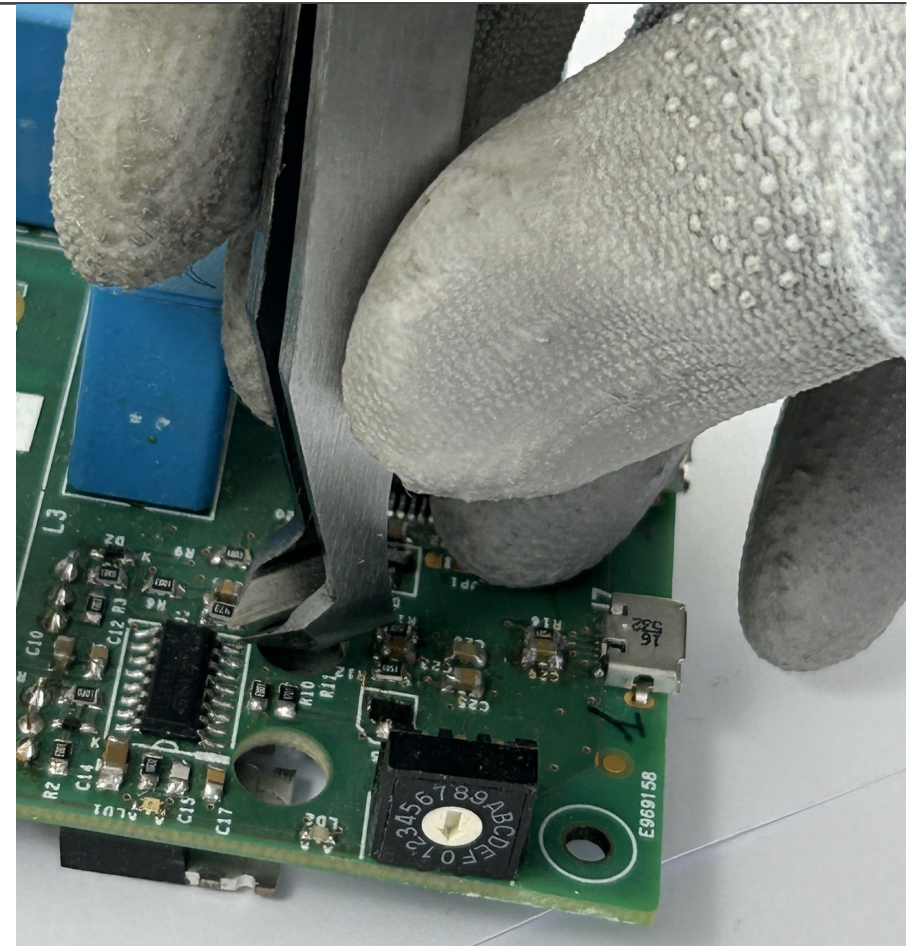


# **CUTTING TIPS TWEEZERS**

## **CUTTING TIPS**

Ideal for the cutting of soft wire, commonly copper, gold or silver with small diameters.

List of  
items

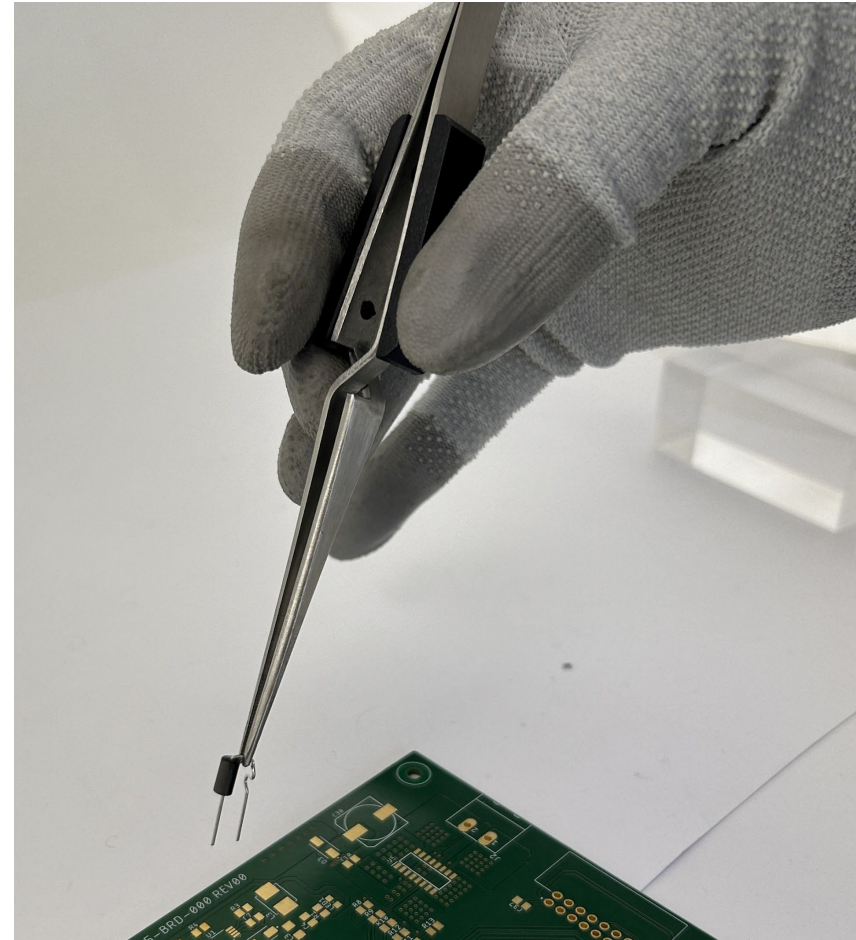


# REVERSE ACTION TWEEZERS

## REVERSE ACTION

These reverse action tweezers are closed at rest. The holding pressure is practiced by the tweezers and not by the operator. This makes them ideal for holding small parts over an extended period of time.

List of  
items

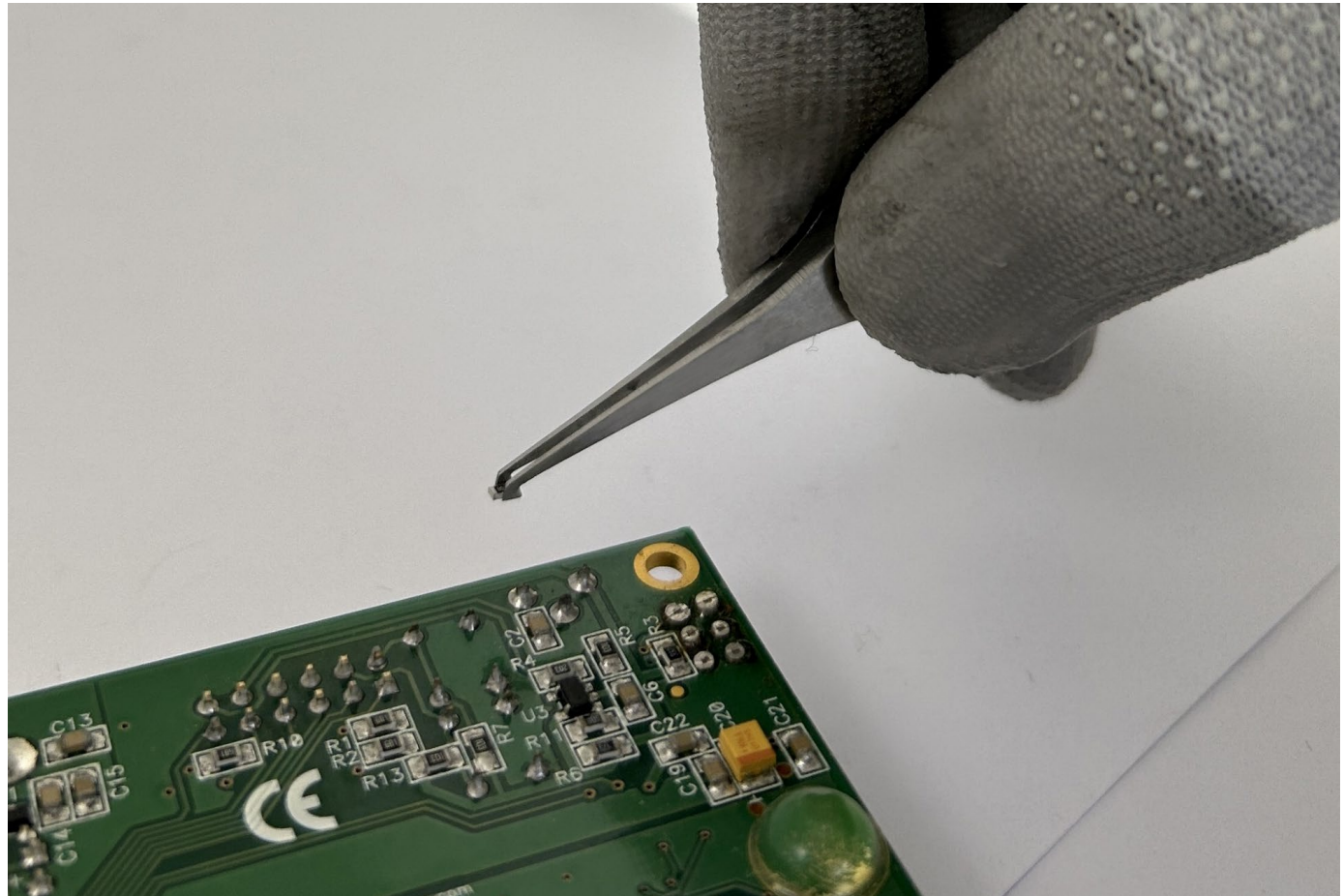


# SMD TWEEZERS

## SMD TWEEZERS

Ideal for the application in micro electronics, jewelry, watchmaker where precision is needed.

List of  
items



# ESD TWEEZERS

## ESD TWEEZERS

Ideal for the application in micro electronics, jewelry, watchmaker where precision is needed.



# **SOLDERING ACCESSORIES**

---

# SOLDER DISPENSER: DS2500KD



ESD Solder dispenser with guiding tube that keeps the working area tidy and reduces solder waste.

Coated with ESD powder.

Suitable for all spools up to 2500 gr with the following specifications:

Max solder wire	Ø 2mm
Max roll length	100mm
Central roll hole	Ø > 11mm

Dimensions: 190x150x255mm (H)  
Weight: 1.4 kg



**Supplied complete with tools (spool not included)**

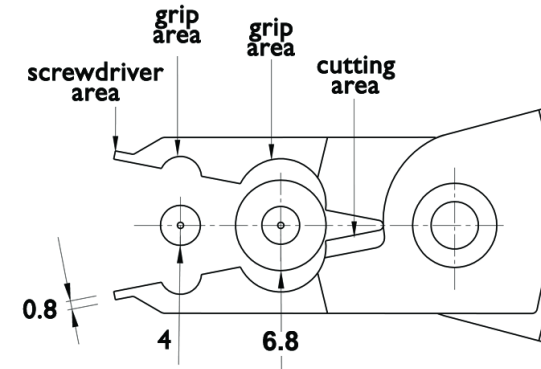


# SOLDER DISPENSER: TOOLS

When ordering the ESD Solder dispenser with this code DS2500KD it is included:



- ① ESD tweezers model 2A – rounded flat tips
- ② ESD tweezers model 7 – pointed bent tips
- ③ ESD shears for soldering operations:



- ④ ESD cutters – flush cut (max copper wire  $\varnothing$  1.30mm)
- ⑤ ESD desoldering pump

# SOLDER DISPENSER: DS2500D

ESD Solder dispenser **EMPTY**

Coated with ESD powder.

Suitable for all spools up to 2500 gr with the following specifications:

Max solder wire	Ø 2mm
Max roll length	100mm
Central roll hole	Ø > 11mm

Dimensions: 190x150x255mm (H)

Weight: 1.0 kg



# SOLDER DISPENSER: DS2500ABD

Device that allows to add a second reel on the DS2500D solder dispenser, transforming it as in the image below:



Coated with ESD powder.  
Suitable for all spools up to 2500 gr with  
the following specifications:

Max solder wire	Ø 2mm
Max roll length	100mm
Central roll hole	Ø > 11mm

Weight: 300 gr



# SOLDER DISPENSER: DS2500BD

Solder dispenser with double reel. Supplied **EMPTY**

Coated with ESD powder.

Suitable for all spools up to 2500 gr with the following specifications:

Max solder wire	Ø 2mm
Max roll length	100mm
Central roll hole	Ø > 11mm

Dimensions: 190x150x300mm(H)

Weight: 1.4 kg



# DESOLDERING PUMPS: PD03

PD03 and PD03D. Ideal for removing residual solder from a printed circuit board, during desoldering operations

Length: 201mm

Weight: 53gr

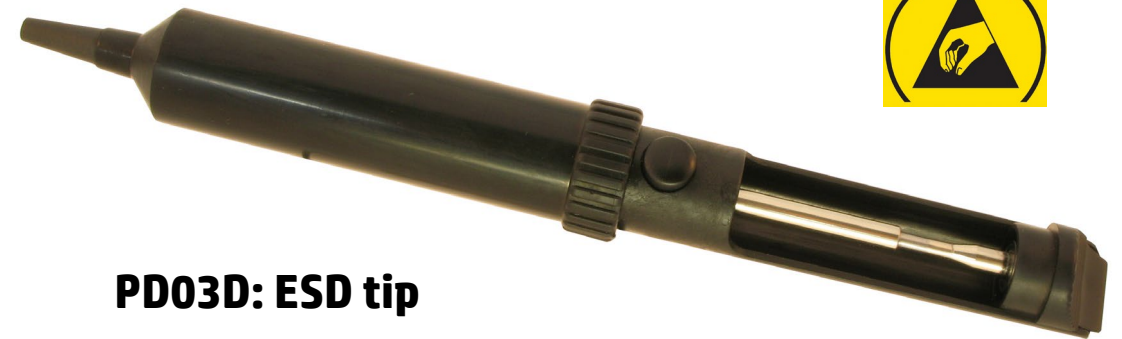
Tip diameter: 4,5mm

Knob-button distance: 70mm

Outer diameter: 22mm



**PD03: teflon tip**



**PD03D: ESD tip**

# DESOLDERING PUMPS: PD UNIVERSAL

PDUNIVERSAL and PDUNIVERSALD. Ideal for removing residual solder from a printed circuit board, during desoldering operations

Length: 215mm

Weight: 65gr

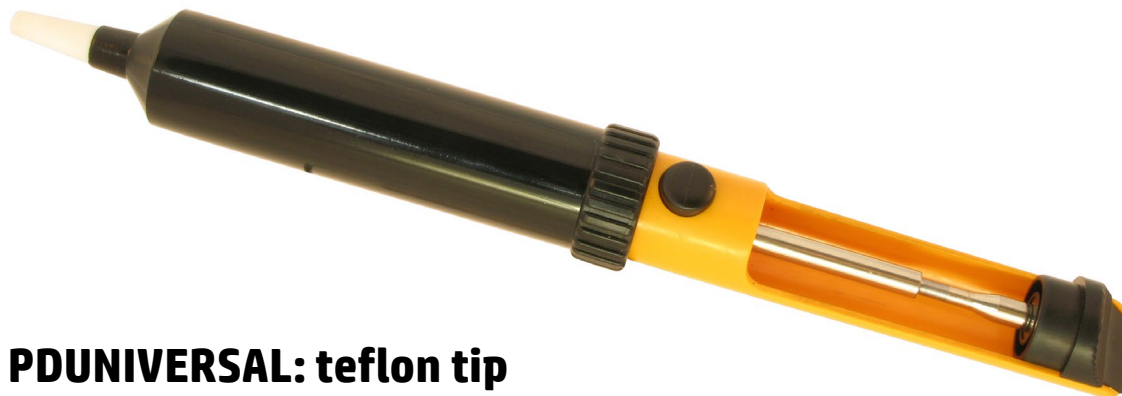
Tip diameter: 4,5mm

Knob-button distance: 72mm

Outer diameter: 20mm



**PDUNIVERSAL D: ESD tip**



**PDUNIVERSAL: teflon tip**

# PRECISION SCREWDRIVERS

---

# PRECISION SCREWDRIVERS - SLOTTED

Precision screwdrivers. Rotating cap for an easy usage with a single hand. Chrome vanadium blade. Antislip bi-component grip. Laser marked.



**TOTAL LENGTH :** from 160 to 250mm

**BLADE (Ømm):** from 2.5 to 3.0mm

**BLADE SIZE:** from 1.2x60 to 3.0x150mm

**ESD handles available on request**



# PRECISION SCREWDRIVERS - PHILLIPS

Precision screwdrivers. Rotating cap for an easy usage with a single hand. Chrome vanadium blade. Antislip bi-component grip. Laser marked.

**TOTAL LENGTH : from 160 to 250mm**

**BLADE (Ømm): from 2.5 to 3.0mm**

**BLADE SIZE: from 2.5x60 to 3.0x150mm**

**ESD handles available on request**



## PRECISION SCREWDRIVERS – POZDRIV

Precision screwdrivers. Rotating cap for an easy usage with a single hand. Chrome vanadium blade. Antislip bi-component grip. Laser marked.

List of items

**TOTAL LENGTH : 160mm**

**BLADE (Ømm): 3.0mm**

**BLADE SIZE: 3.0x60mm**

**ESD handles available on request**



# PRECISION SCREWDRIVERS - TORX

Precision screwdrivers. Rotating cap for an easy usage with a single hand. Chrome vanadium blade. Antislip bi-component grip. Laser marked.

**List of items**

**TOTAL LENGTH : from 150 to 160mm**

**BLADE (Ømm): 3.5mm**

**BLADE SIZE: from T6x50 to T15x60mm**

**ESD handles available on request**



# PRECISION SCREWDRIVERS – TAMPER RESISTANT

Precision screwdrivers. Rotating cap for an easy usage with a single hand. Chrome vanadium blade. Antislip bi-component grip. Laser marked.

**TOTAL LENGTH : from 150 to 160mm**

**BLADE (Ømm): 3.5mm**

**BLADE SIZE: from TR6x50 to TR15x60mm**

**ESD handles available on request**



# PCB SEPARATORS

---

# PCB SEPARATORS



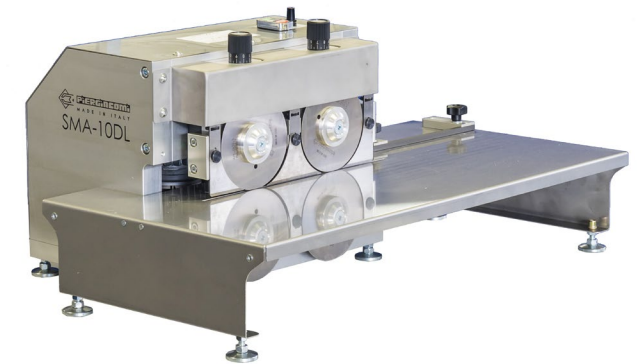
**HAND DEPANELING  
PLIERS**

**PNEUMATIC  
DEPANELING  
TOOLS**



**PCB MILLING  
SYSTEMS**

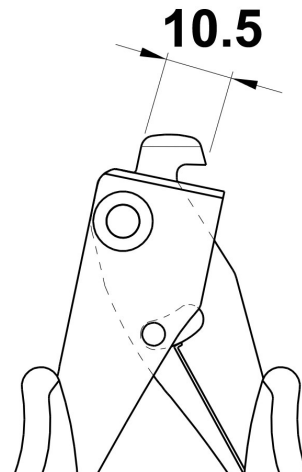
**V-SCORED PCB  
SEPARATORS**



# HAND DEPANELING PLIERS

A manual depaneling tool designed to separate PCBs in a quick, economic and safe way, obtaining well-finished cut surfaces; the maximum length of the isthmus (tab) should not exceed 3 mm.

Order code	BLADE (S)	MAX CUTTING FORCE (mm)
DP10N	1.0	1
DP15N	1.5	3
DP18N	1.8	3
DP20N	2.0	3
DP23N	2.3	7
DP24N	2.4	7
DP25N	2.5	7



**MAXIMUM PCB THICKNESS: 1.6mm**  
**MINIMUM ISTHMUS DISTANCE: 11mm**

# PNEUMATIC DEPANELING TOOLS- DPB MONO

Pneumatic depaneling system with interchangeable blades. Usually supplied with L blade but also T blade is available.

**MAXIMUM PCB THICKNESS: 1.6mm**

**ISTHMUS: 1÷5mm**

**MAX CUTTING FORCE: 190KG**

**MINIMUM ISTHMUS DISTANCE: 13mm**

**BLADE THICKNESS: 2.5-2.4-2.3-2.0mm**

**DIMENSIONS: 155x80x200mm**

**WEIGHT: 2.5Kg**

**WATCH  
A VIDEO**



# PNEUMATIC DEPANELING TOOLS- DPP SERIES

Pneumatic depaneling system with interchangeable blades. Usually supplied with L blade but also T blade is available.

Order code	BLADE (mm)
DPP20N	2.0
DPP23N	2.3
DPP24N	2.4
DPP25N	2.5

- MAXIMUM PCB THICKNESS: 1.6mm**
- MAX ISTHMUS LENGTH: 3mm**
- MINIMUM ISTHMUS DISTANCE: 11mm**
- MAX CUTTING FORCE: 80KG**
- DIMENSIONS: 210x35mm**
- WEIGHT: 400GR**



**WATCH  
A VIDEO**

## PCB MILLING SYSTEMS- DPF300

Milling system for the separation of PCBs (aluminium, CEM and FR4) .  
For straight or circular PCB. Interchangeable guides for different  
jobs. Custom guides available on request!



[WATCH  
A VIDEO](#)



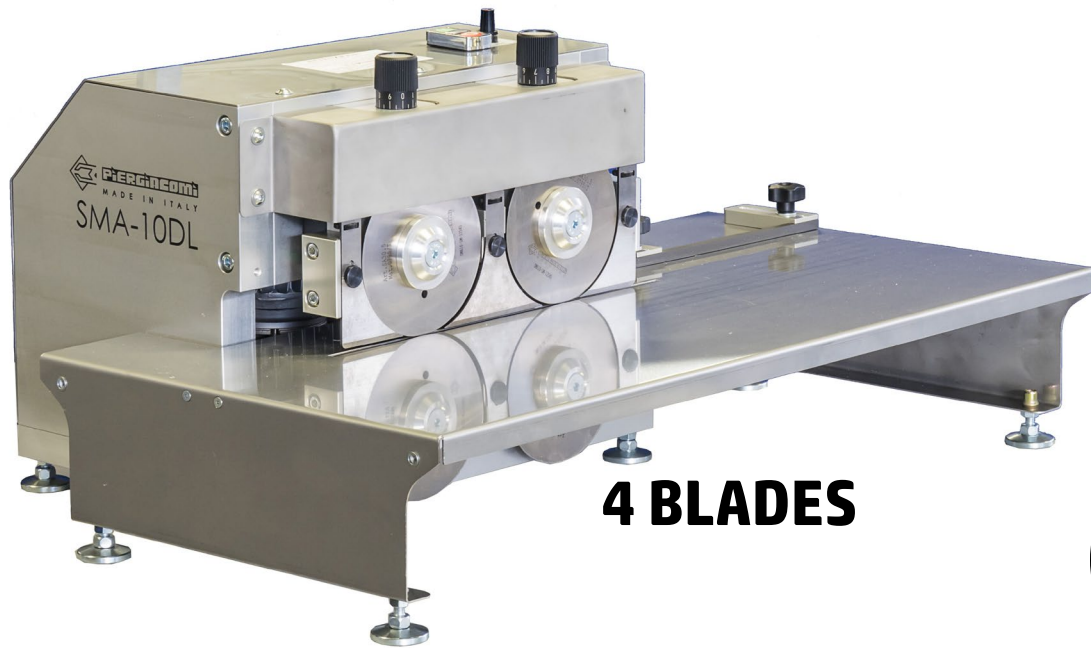
[WATCH  
A VIDEO](#)



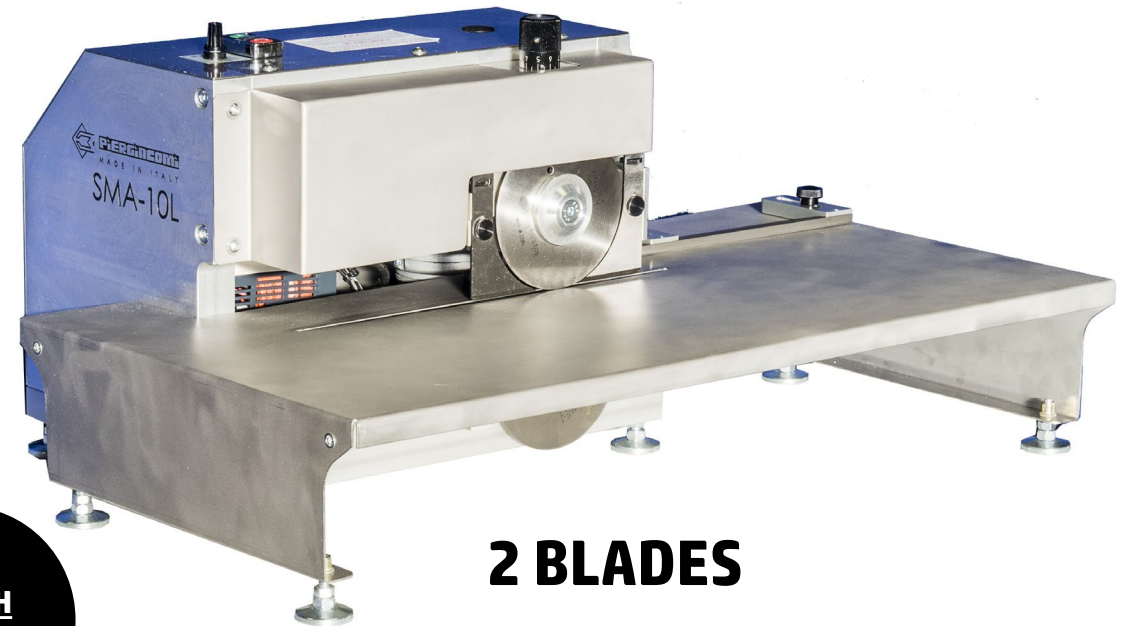
**PATENTED**

# V-SCORED PCB SEPARATOR- SMA SERIES

Separatore systems for V-scored boards. For CEM, FR4 and also on Aluminium substrates (MCPCB). For short and long boards bare or populated.



**4 BLADES**



**2 BLADES**

**WATCH  
A VIDEO**

# TOOLS SET

---

# TOOLS KITS -1



**K5-1:**  
1 side cutter  
1 pliers  
2 precision screwdrivers  
1 tweezers

**K8-1:**  
2 side cutters  
2 pliers  
2 precision screwdrivers  
2 tweezers



**SMT SET:**  
4 micro cutters  
2 micro pliers



## TOOLS KITS -2

- K9-1:**
- 1 wire stripper**
  - 1 desoldering pump**
  - 2 precision screwdrivers**
  - 3 tweezers**
  - 1 pliers**
  - 1 side cutter**



- K2-UT1:**
- 1 maxi cutter**
  - 1 maxi pliers**

- K2-UT2:**
- 1 medium cutter**
  - 1 medium pliers**

- K2-UT3:**
- 1 medium cutter**
  - 1 micro cutter**

- K5-UT3D:**
- 1 ESD micro cutter**
  - 1 ESD micro pliers**
  - 2 ESD precision screwdrivers**
  - 2 ESD tweezers**



**MANY OTHER KITS AVAILABLE ON DEMAND**

## STAND FOR TOOLS: SU-8



This tool stand has been designed for an efficient and tidy management of the post. SU-8 can hold pliers, tweezers, screwdrivers and other tools. The stand is made of 1.5mm thick steel and coated with ESD-safe powder. Perfectly stable thanks to its special shape, the stand can hold tools of different lengths thanks to its sloped profile. The SU-8 stand has a small compartment for small objects such as screws. The stand can be placed on a table or fixed to the wall.

**SUPPLIED EMPTY**, or on request, with tools.  
*In ESD-safe material.*

Weight: 545g  
Dimensions: 150x80x190mm(H)